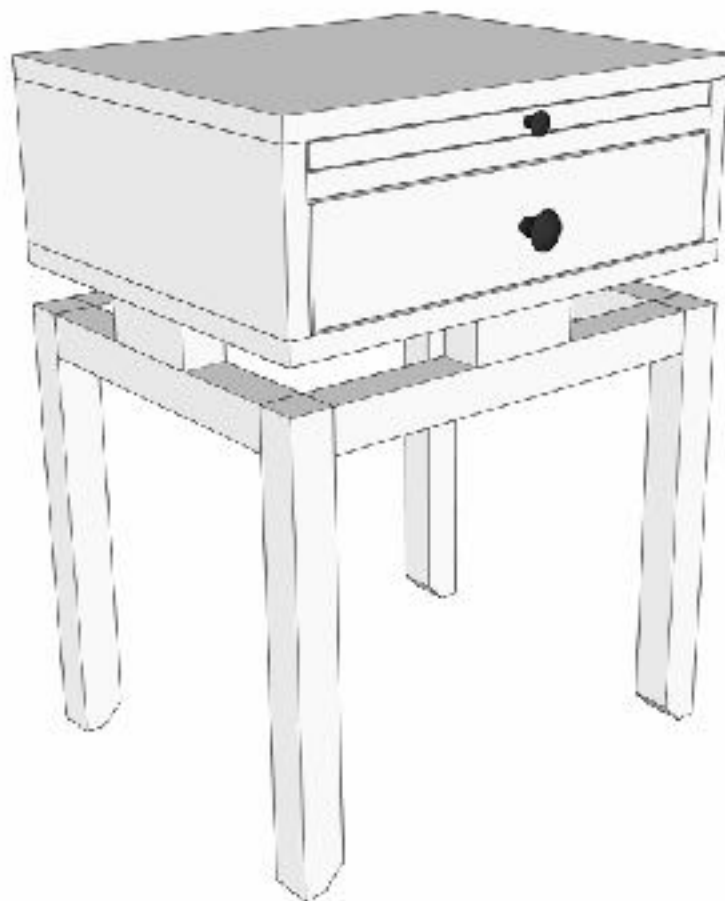

Faux Floating Top Nightstand for Under \$100

Addicted2DIY.com



Before beginning this project...

Please read through all of the plans as well as the blog post associated with this project . Always use safety precautions whenever using power tools and follow the manufacturer's suggested guidelines. Make sure to wear proper safety protection (eye protection, hearing protection, etc.) before beginning any project. Cut all pieces per the measurements in the plans, unless noted otherwise.

Materials and Cut List:

Materials Needed:

1 sheet 3/4" plywood
2 - 2x2 select pine @ 8' long
1 - 3' square dowel
1 - 1x2 select pine @ 4' long (can use scrap or plywood cut to size w/ veneer banding)
10" side mount drawer slides
Drawer knobs
1 1/4" pocket screws
2 1/2" pocket screws
2" wood screws
1 1/4" wood screws
1 1/4" brad nails
Wood filler
Veneer edge banding

Cut List:

4 - 2x2 @ 16" long (legs)
2 - 2x2 @ 15" long (front and rear stretchers)
2 - 2x2 @ 12" long (side stretchers)
4 - 2x2 @ 4" long (spacers)
1 - 1x2 @ 16 1/2" long
2 - 3/4" plywood @ 18" x 15" (nightstand top and bottom)
2 - 3/4" plywood @ 5 1/2" x 15" (sides)
1 - 3/4" plywood @ 16 1/2" x 5 1/2" (back)
2 - 3/4" plywood @ 12" x 3 5/8" (drawer sides)
1 - 3/4" plywood @ 14" x 3 5/8" (drawer back)
1 - 3/4" plywood @ 11 1/4" x 14" (drawer bottom)
1 - 3/4" plywood @ 16 1/4" x 3 5/8" (drawer front)
1 - 3/4" plywood @ 16 1/4" x 14" (pull out tray)
2 - 3/4" square dowels @ 12 3/4" long

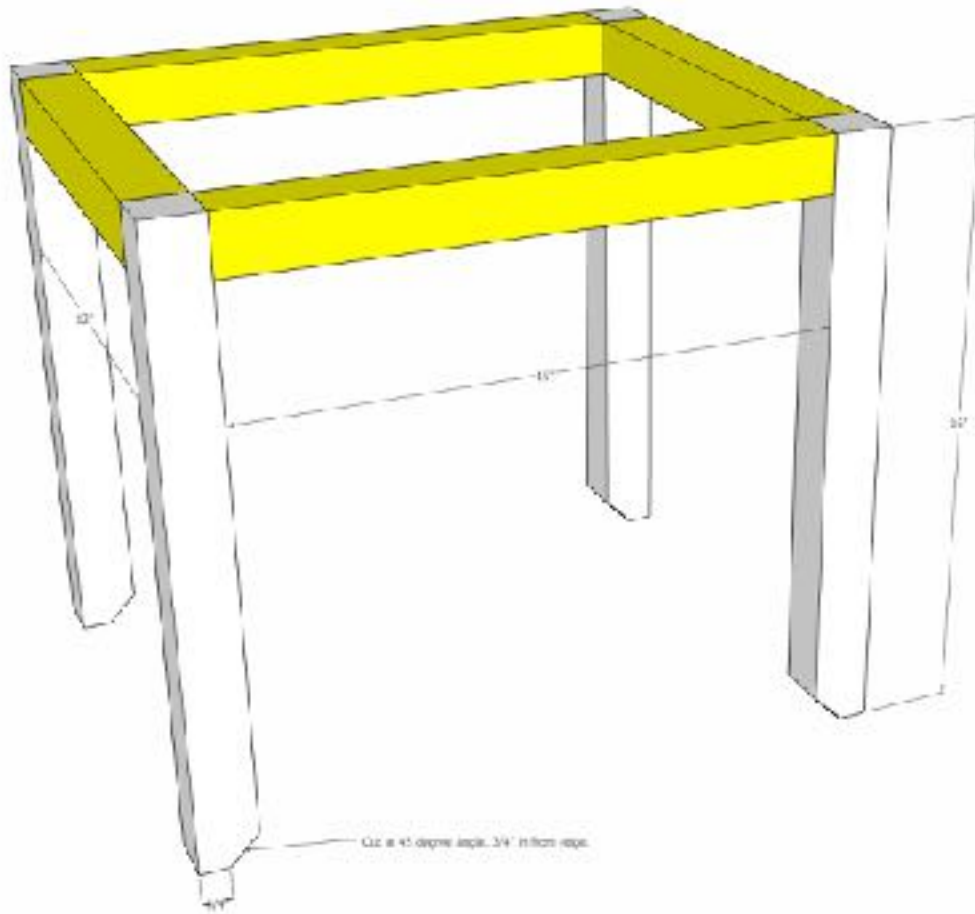
Step One:

Apply veneer banding

Using a hot clothes iron, apply veneer banding to all four edges of the nightstand top, bottom, pull out tray, and drawer front. Also apply veneer banding to the front and back edges of the side pieces, as well as the top edges of the drawer sides and drawer back. Trim the veneer banding with a trimming tool or razor knife. Sand all of the pieces smooth with an orbital sander and 220 grit sandpaper.

Step Two:

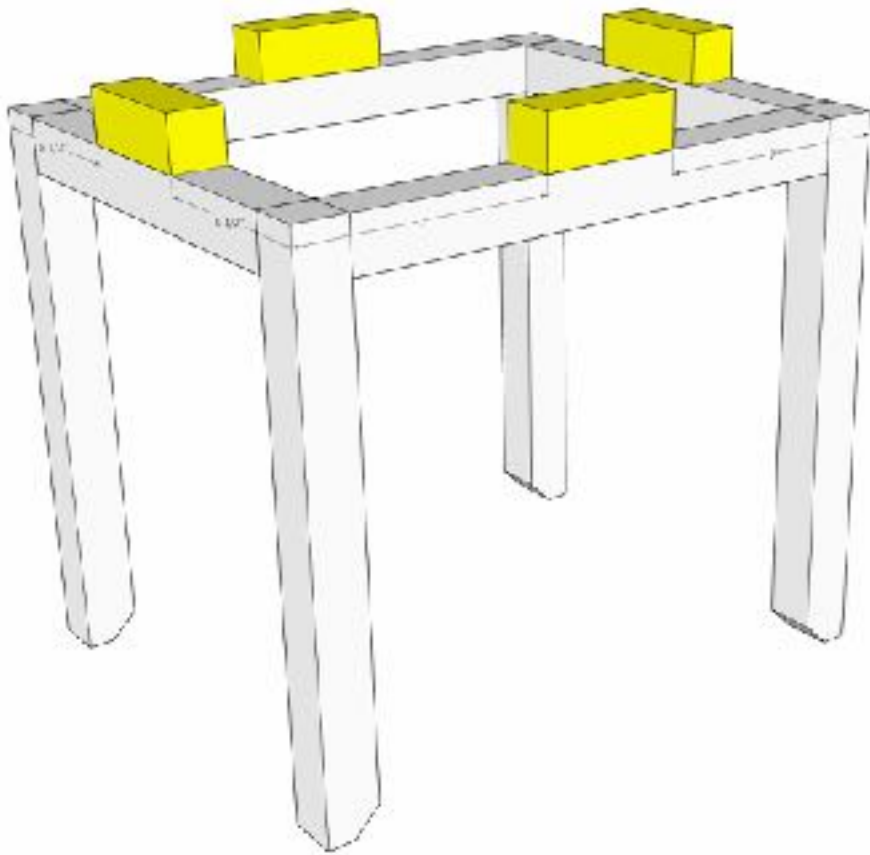
Build the base



Mark 3/4" in from the bottom end of each of the legs. Set your miter saw to a 45 degree angle and cut a notch into the inside edge of each leg (if desired). Drill 1 1/2" pocket holes into the 15" and 12" stretchers. Attach flush with the top end of the legs with wood glue and 2 1/2" pocket screws.

Step Three:

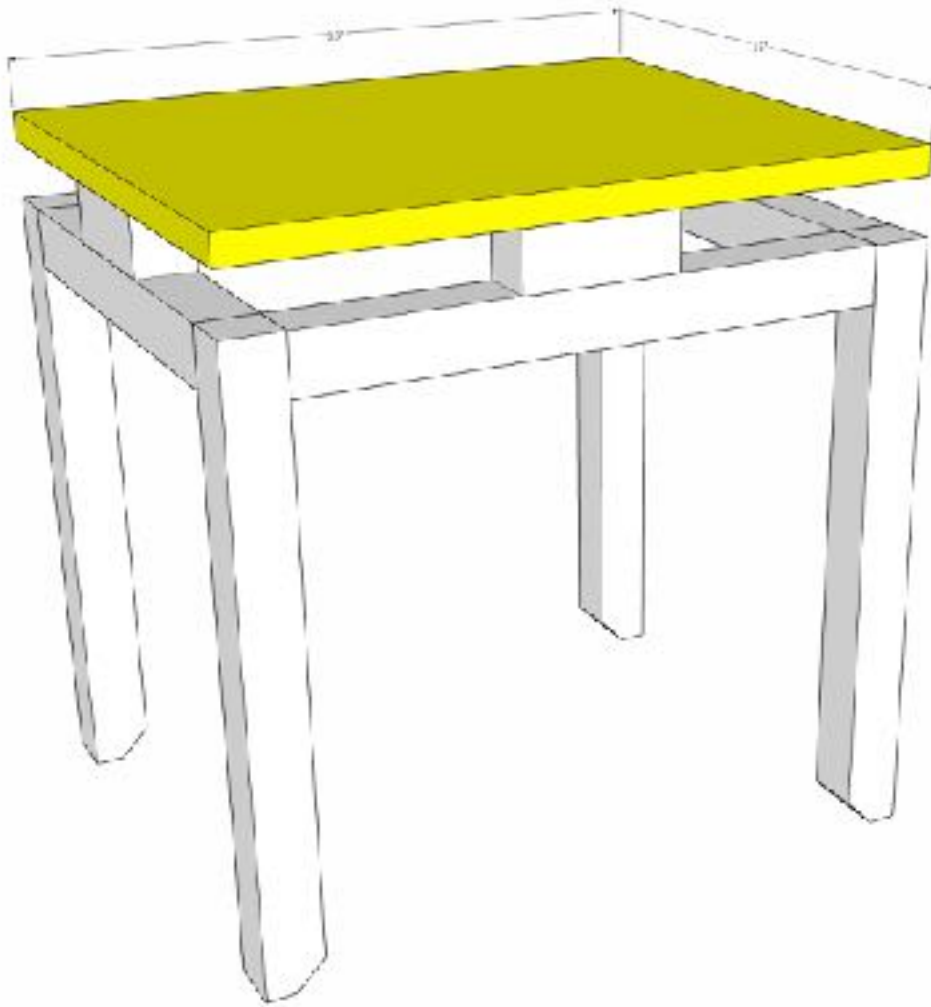
Attach the spacers



Center the 2x2 spacers on the front, back and sides of the base. Attach with wood glue and 2" wood screws, slightly countersunk into the wood to allow the top of the nightstand to sit flush on the spacers.

Step Four:

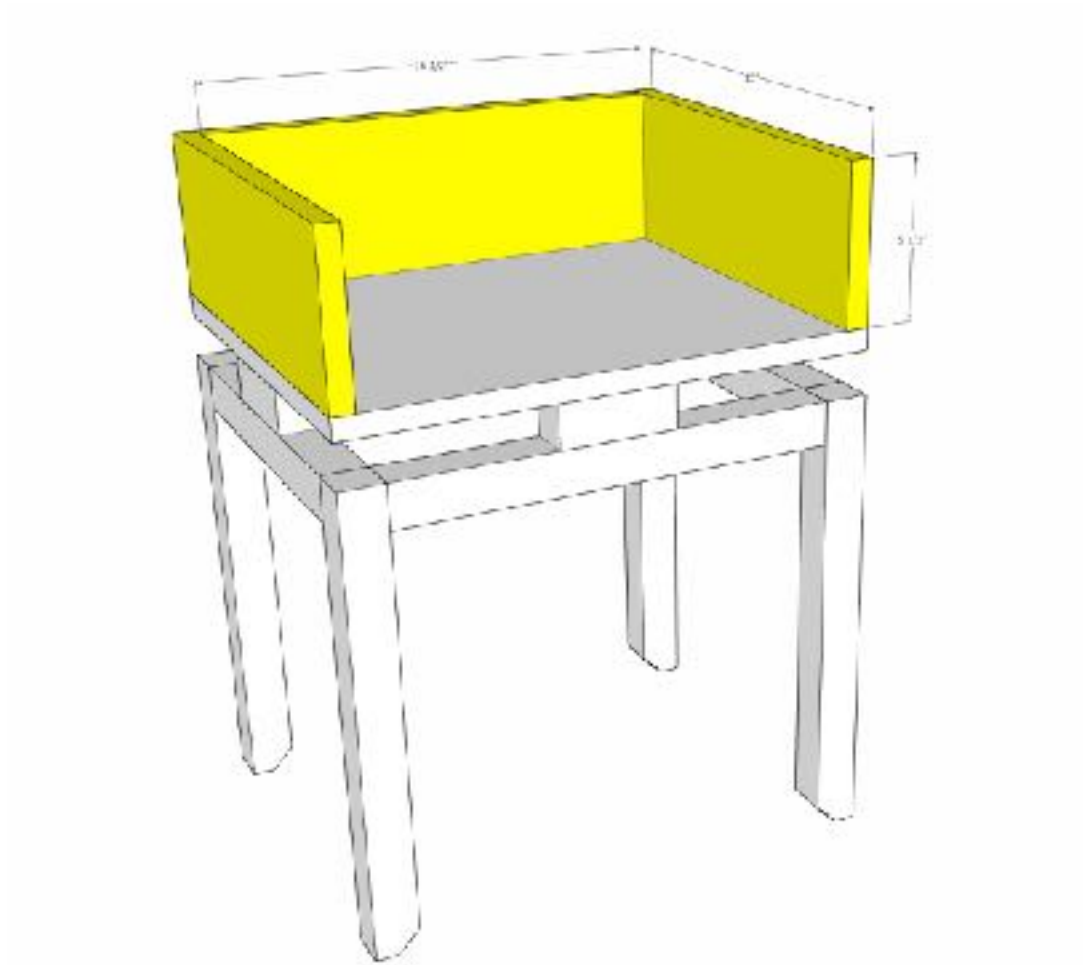
Attach the bottom panel of the nightstand



Apply glue to the spacers and line up the bottom panel of the nightstand over the base. Clamp in place and attach with 1 1/4" wood screws into the spacers.

Step Five:

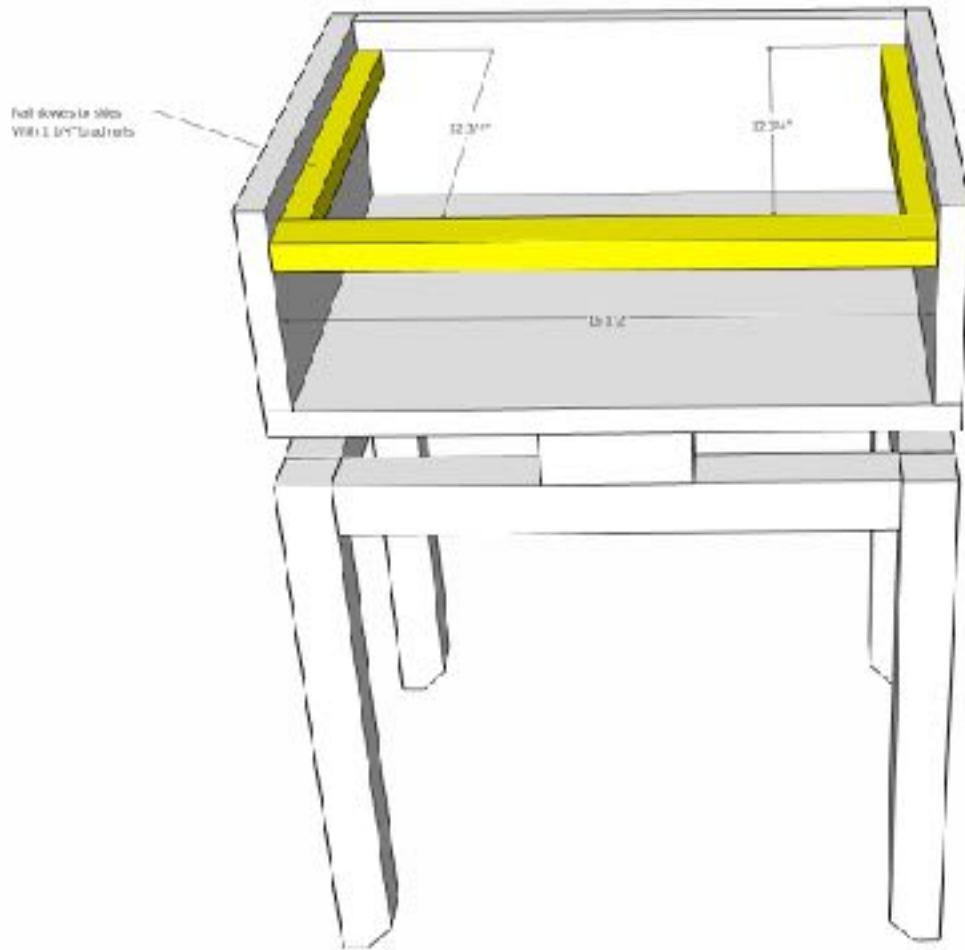
Attach the sides and back



Drill 3/4" pocket holes into the bottom edge of the side pieces and the bottom edge and ends of the back pieces. Apply a bead of wood glue to the ends of the back piece, clamp and attach to the sides with 1 1/4" pocket screws. Apply a bead of wood glue along the bottom edges of the side and back pieces. Clamp to the bottom panel and attach with 1 1/4" pocket screws.

Step Six:

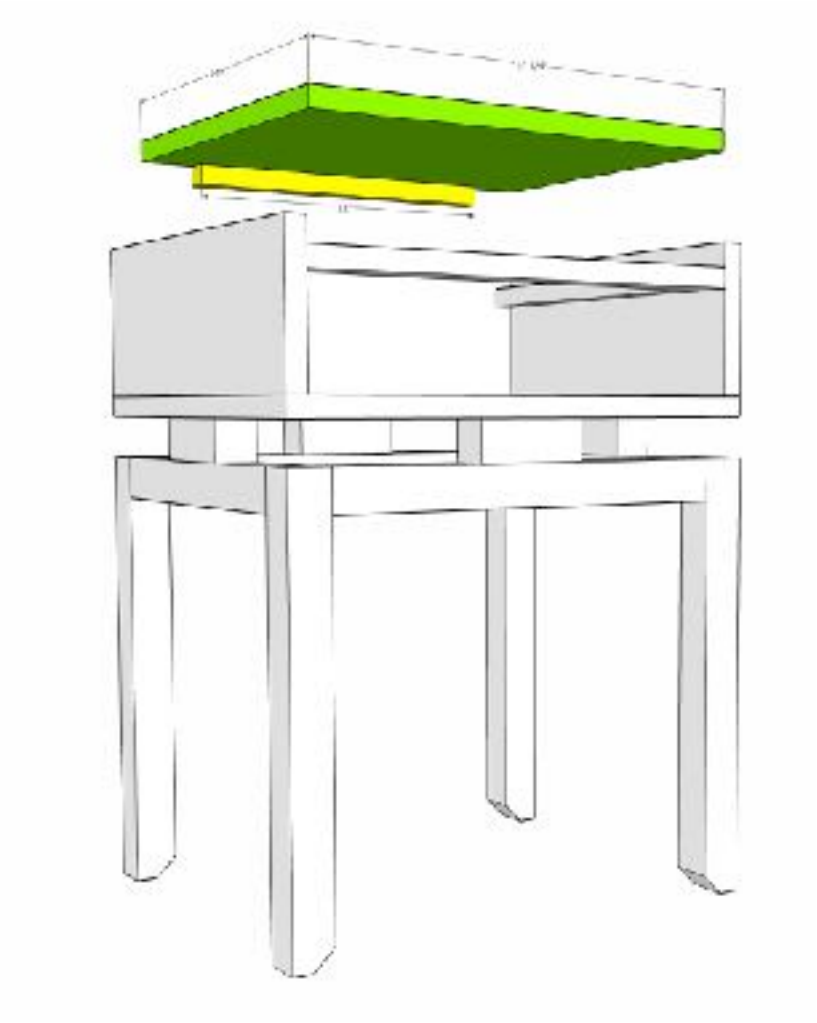
Install the front frame piece and dowels



Drill 3/4" pocket holes into each end of the 1x2 face frame piece. Attach flush with the front edges of the sides, 7/8" down from the top. Measure and mark 7/8" down on the sides for the dowels and attach flush with the height of the 1x2 with wood glue and 1 1/4" brad nails. This will be the support for the pull out tray.

Step Seven:

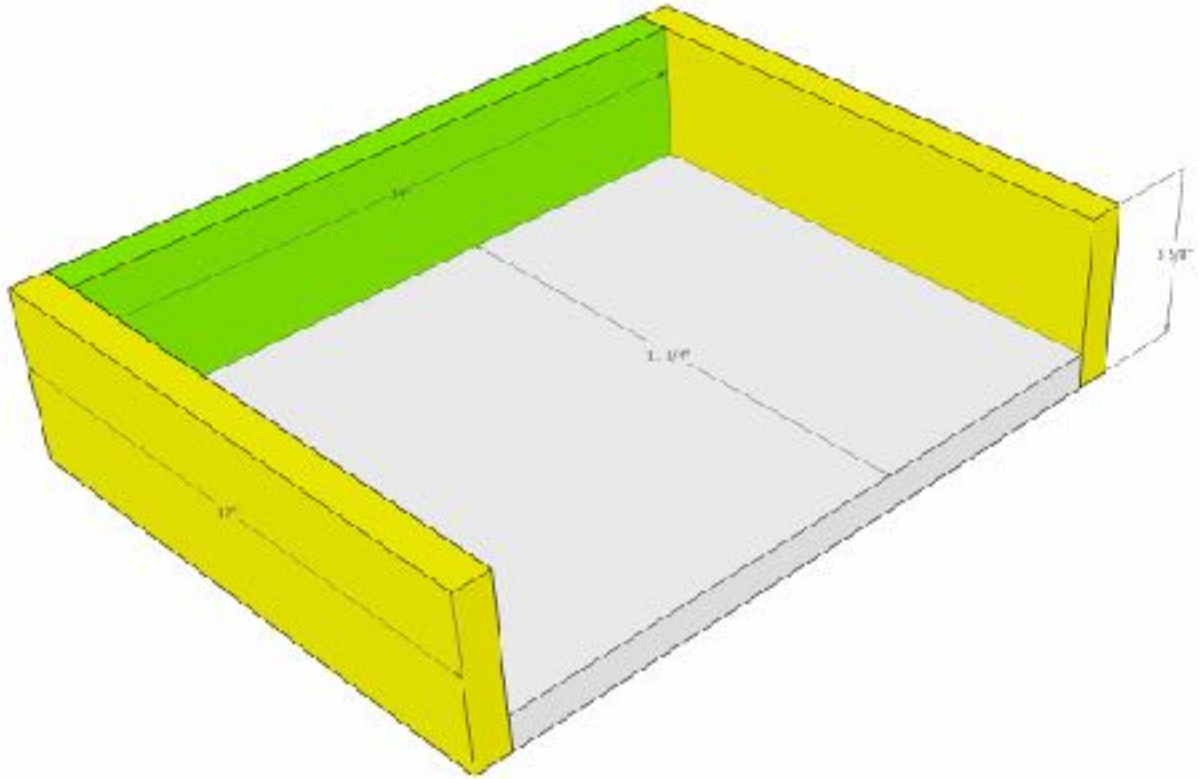
Assemble the pull out tray



Use the remaining piece of the 3/4" dowel to attach flush to the back edge of the pull out tray. This will act as a stop for the tray when pulled out. Attach with wood glue and 1 1/4" brad nails.

Step 8:

Assemble the drawer

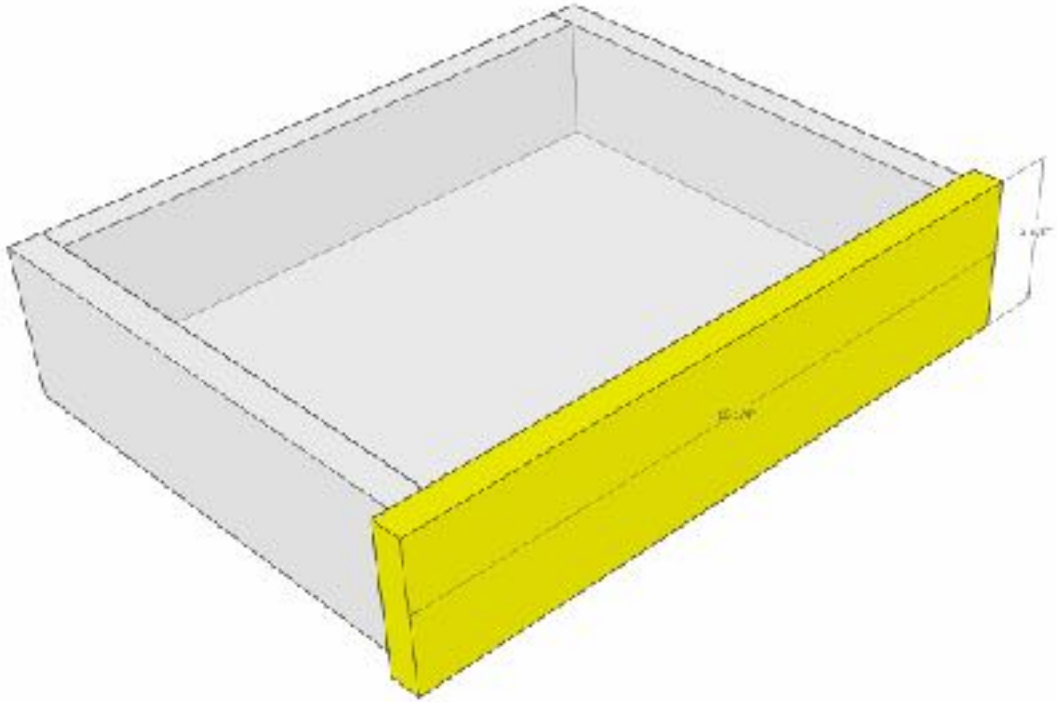


Drill 3/4" pocket holes into all four edges of the drawer bottom, the front ends of the drawer sides, and both ends of the drawer back.

Glue and clamp the drawer pieces together and attach with 1 1/4" pocket screws.

Step 9:

Attach the drawer front



Center the drawer front so that there is $3/8$ " overhang on each side of the drawer. Glue and clamp in place, and attach with $1\ 1/4$ " pocket screws.

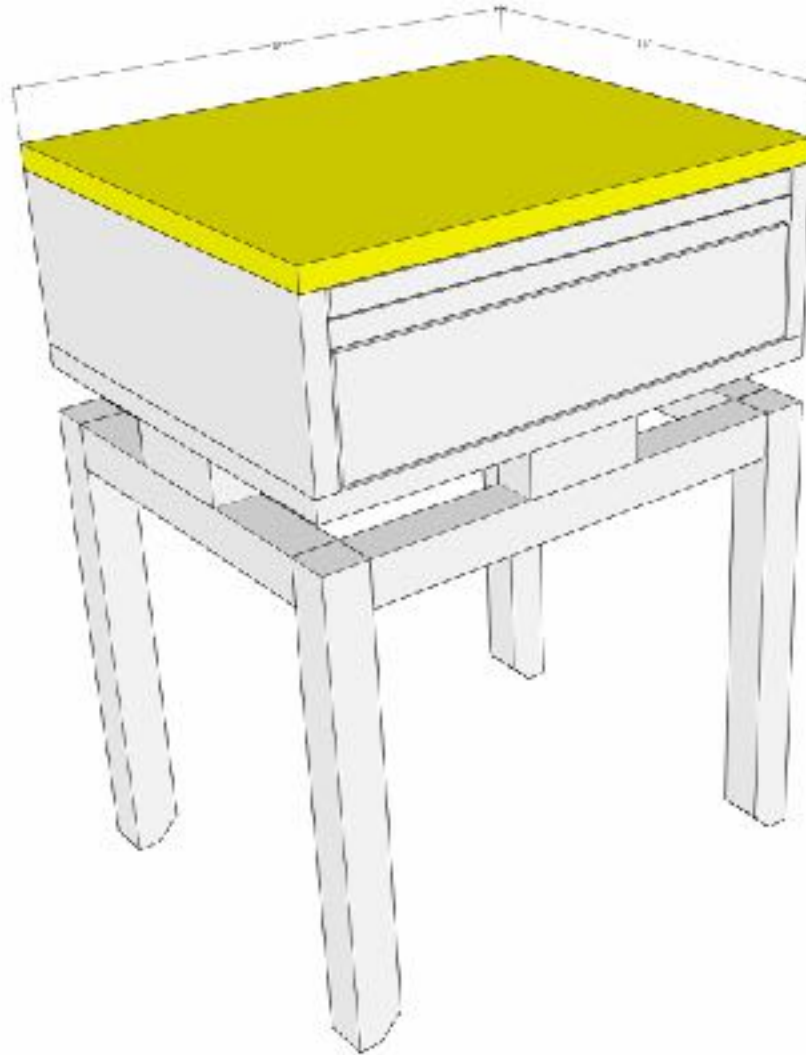
Step 10:

Finish the nightstand

Paint or stain all of the nightstand pieces before final assembly.

Step 11:

Attach the top



Set the pull out tray in place and then attach the top. Apply a bead of glue to the top edges of the sides and back, then line up the top and clamp. Attach with 1 1/4" brad nails. Fill the holes from the brad nails with wood filler and let dry. Sand smooth and touch up the spots with paint or stain. Install the drawer glides to to the drawer and slide into place.

Once all pieces are assembled, install the knobs.

Dimensions:

