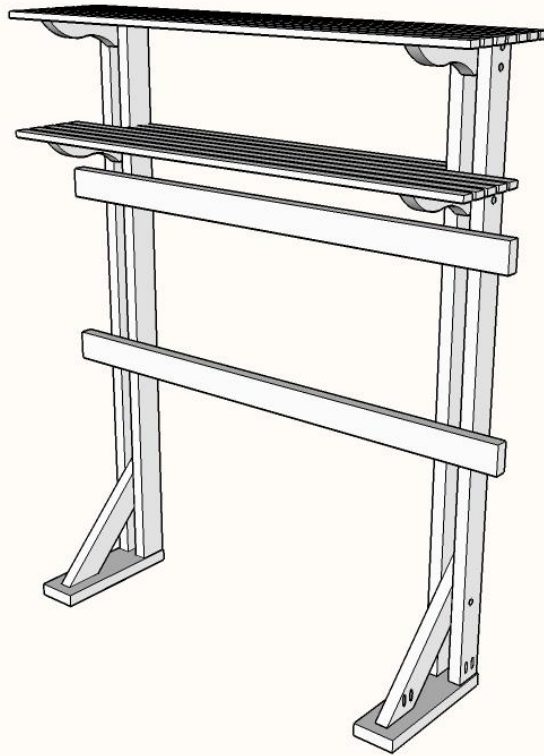


DIY RUSTIC HALL TREE



***Before beginning this project, please read through all of the plans as well as the blog post associated with this project. Always use safety precautions whenever using power tools and follow the manufacturer's suggested guidelines. Make sure to wear proper safety protection (eye protection, hearing protection, etc.) before beginning any project. Cut all pieces per the measurements in the plans, unless noted otherwise.**

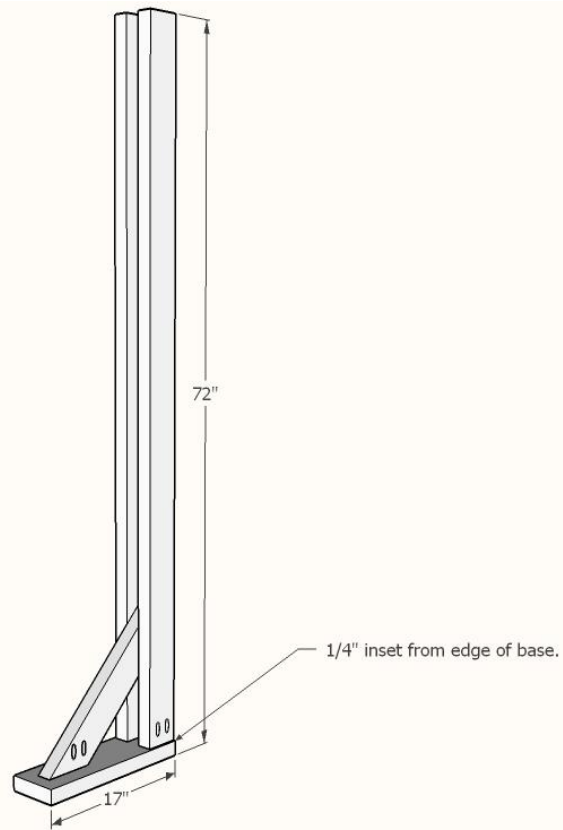
Materials List:

- 6 – 2x4 at 8' long
- 1 – 2x6 at 8' long
- 14 – 1x2 at 8' long
- 10 - ¼" bolts @ 4" long
- 10 – ¼" nuts
- 20 washers
- 3" wood screws
- 2 ½" pocket screws
- 1 ¼" pocket screws
- 1 ¼" brad nails
- Wood Filler
- 120 and 220 grit sandpaper
- Coat hooks (I used 6)
- Spray paint for bolts, nuts and washers (if desired)

Cut List:

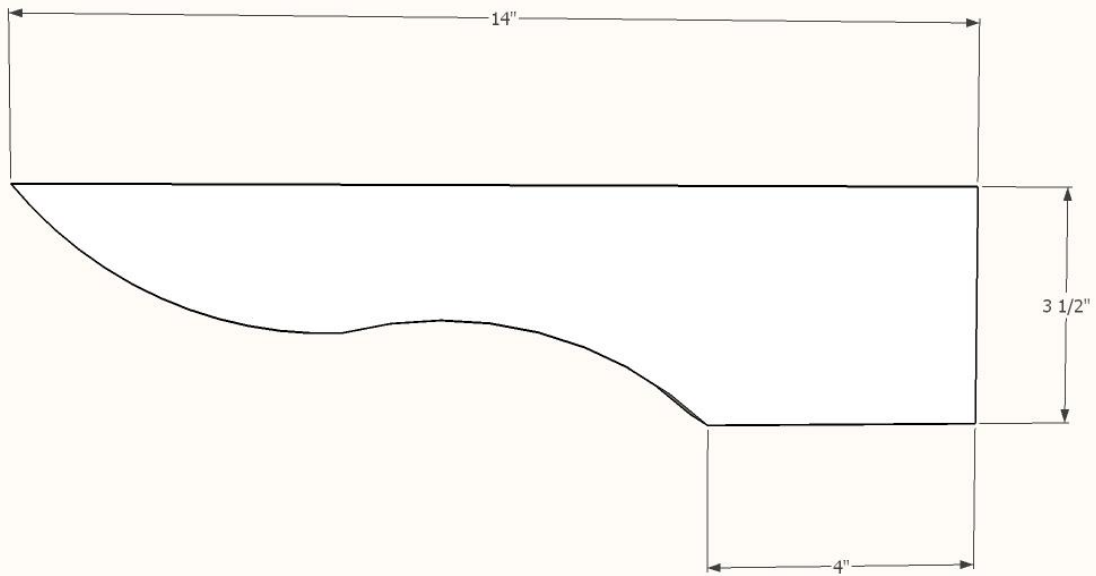
- 4 – 2x4 @ 70 ½" long
- 2 – 2x6 ripped down to 5" wide and cut to 17" long
- 2 – 2x4 @ 62" long
- 2 – 2x4 w/ 45 degree perpendicular angles @ 22" long
- 4 – 2x4 @ 14" long (shelf supports)
- 12 – 1x2 @ 62" long
- 2 – 1x2 @ 45" long (measure to size before cutting)

STEP 1:



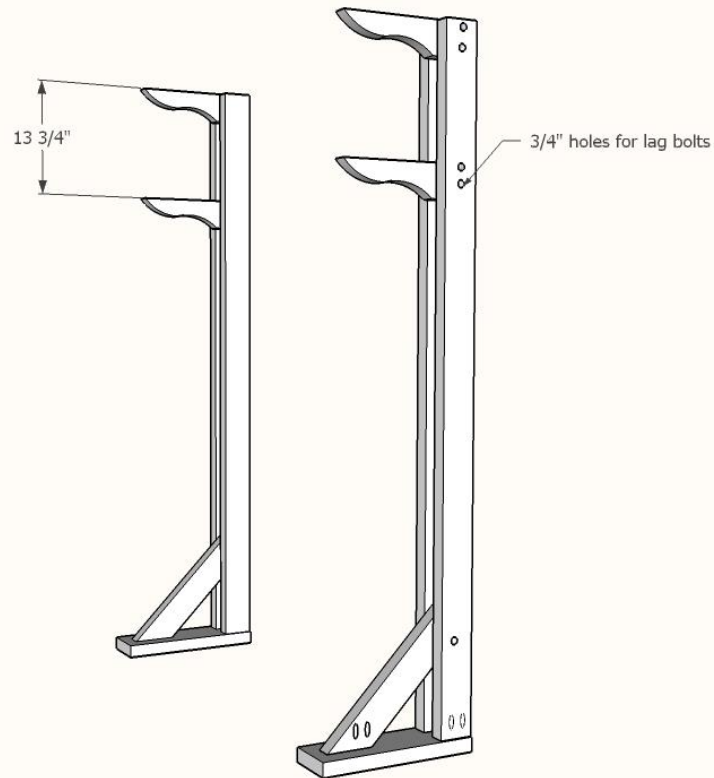
Drill 1 1/2" pocket holes into the legs and 45 degree angled pieces. Working on a flat, even surface, begin assembling the legs and base. Set the base pieces on end and place the legs flush against the pieces, with the 45 degree angled piece as a spacer between the legs. There should be a 1/4" inset between the outside of the legs and the edge of the base. Glue and clamp all of the pieces together and attach with 2 1/2" pocket screws.

STEP 2:



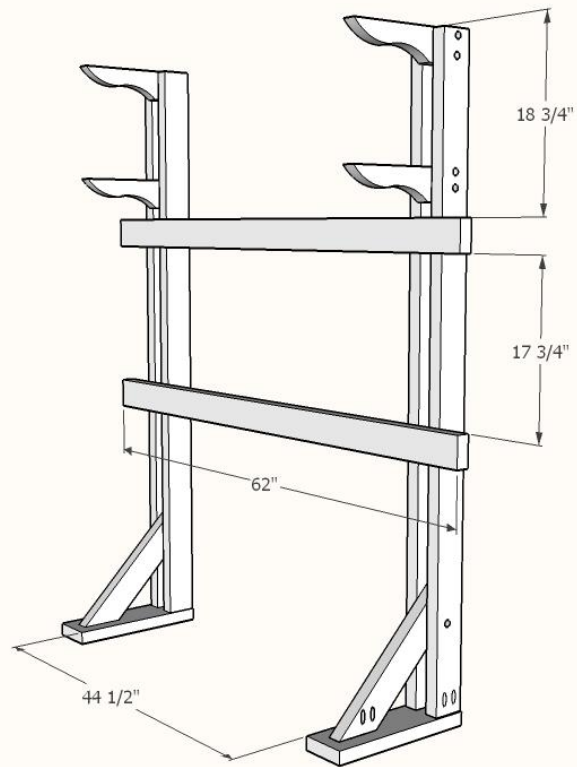
For the shelf supports, use a jigsaw to cut the curved design. Follow the measurements in the diagram and draw with a pencil to mark the cut line. Use the first cut piece as a template for the remaining three pieces. This step is optional if you would like the underside of the shelf supports to have a curved edge. Alternately, the ends of the shelf supports can be cut at a deep angle (45 degrees or greater). Sand the supports down to smooth off the cut edges.

STEP 3:



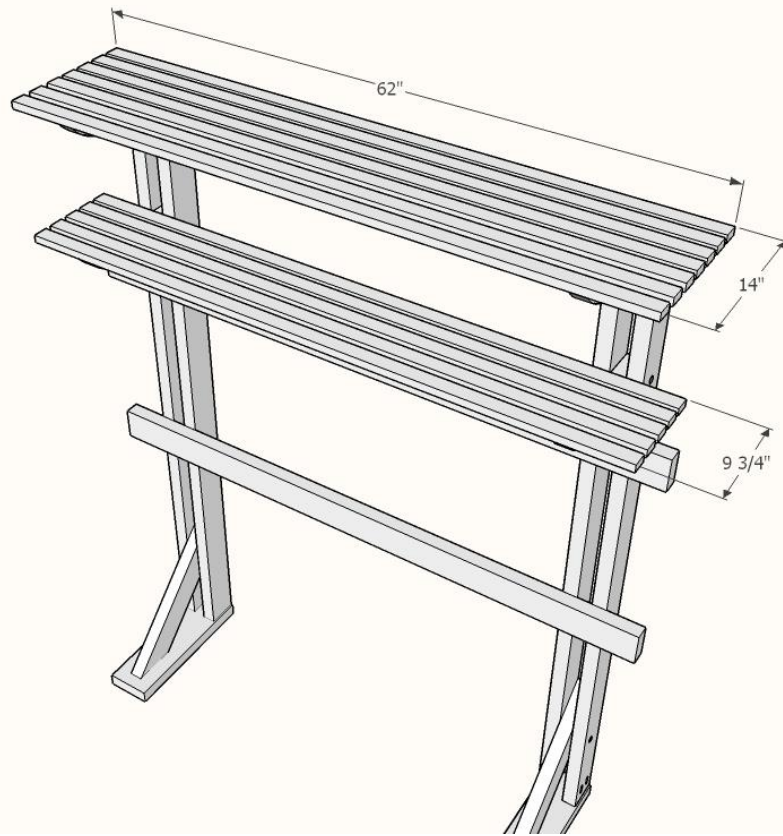
Place the shelf supports between the legs as shown in the diagram. Clamp into place and drill $\frac{3}{4}$ " holes for the bolts. Drill the holes approximately $\frac{1}{2}$ " to $\frac{3}{4}$ " deep. With an extra long drill bit, drill $\frac{3}{8}$ " pilot holes for the bolts to fit all of the way through the legs and shelf supports. Follow the same steps for the 45 degree angled piece. Secure the pieces with the bolts, washers and nuts.

STEP 4:



Clamp the 2x4 cross members into place at the measurements shown in the diagram. From the back side of the hall tree, drill holes 1 3/4" deep and countersink 3" wood screws to secure the cross members.

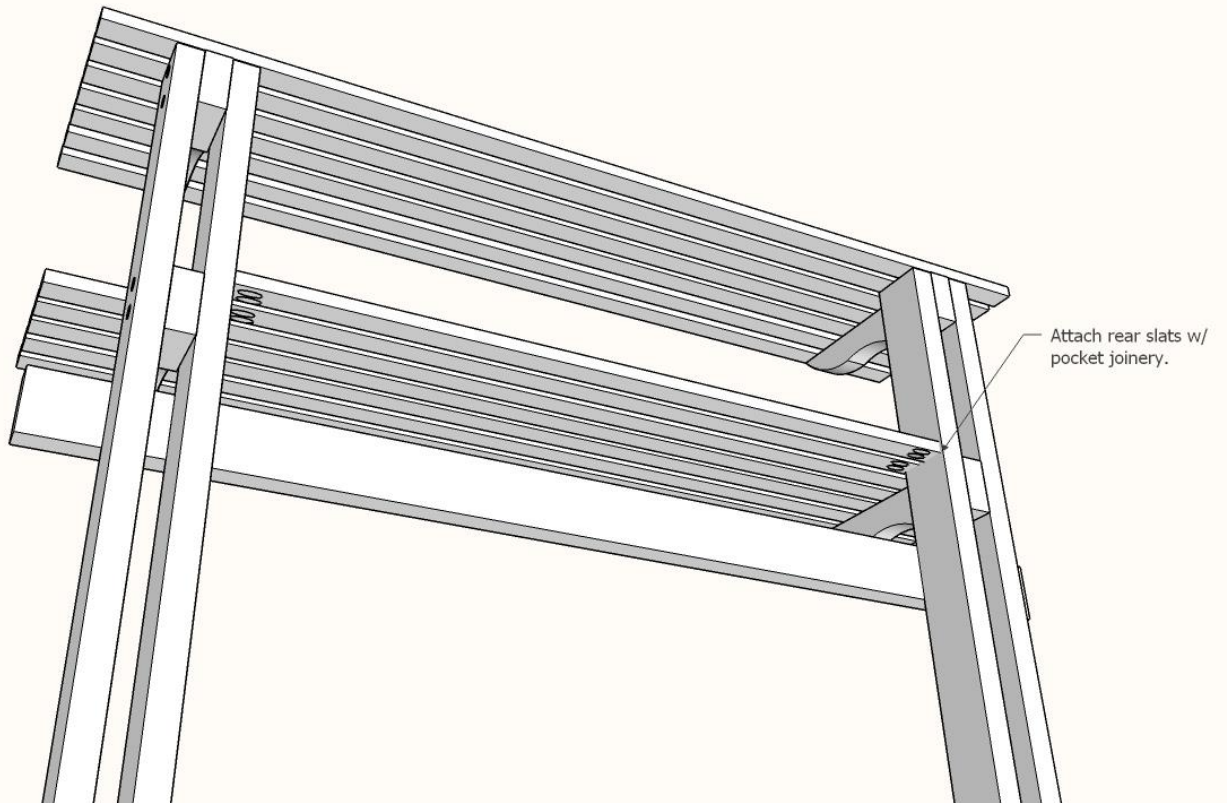
STEP 5:



Begin placing the 1x2 slats on the top shelf. Secure a slat in the front and back of the shelf and evenly space the remaining slats in between. Secure in place with wood glue and 1 1/4" brad nails.

For the lower shelf, place a 1x2 slat at the front of the shelf support and against the 2x4 legs, again spacing the remaining slats evenly between. Secure in place with wood glue and 1 1/4" brad nails.

STEP 6:



For the remaining slats on the lower shelf, drill $\frac{3}{4}$ " pocket holes into the ends of the 1x2 slats. Place at the same level as the attached shelf slats and glue/clamp into place. Attach to the legs with $1\frac{1}{4}$ " pocket screws.

STEP 7:



Finish as desired and attach desired number of coat hooks. For my project, I used 6 coat hooks, spaced 10" apart.

FINAL DIMENSIONS:

