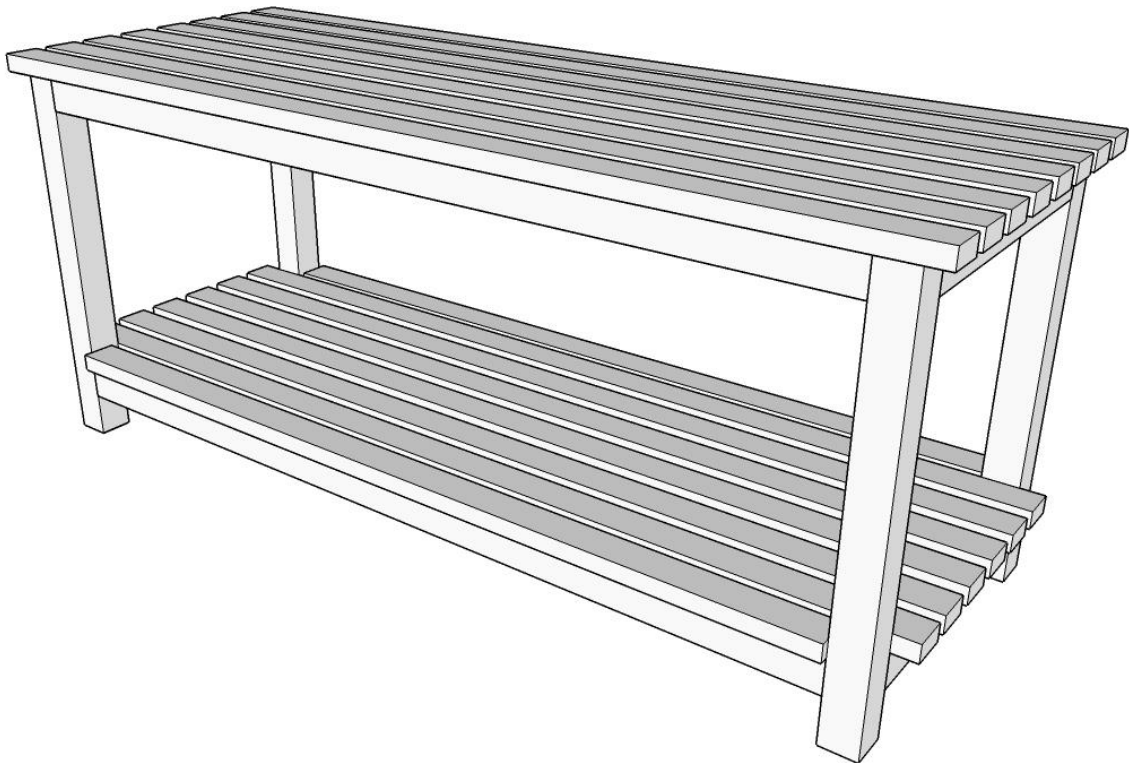


Pottery Barn-Inspired Rustic Bench

Addicted2DIY.com



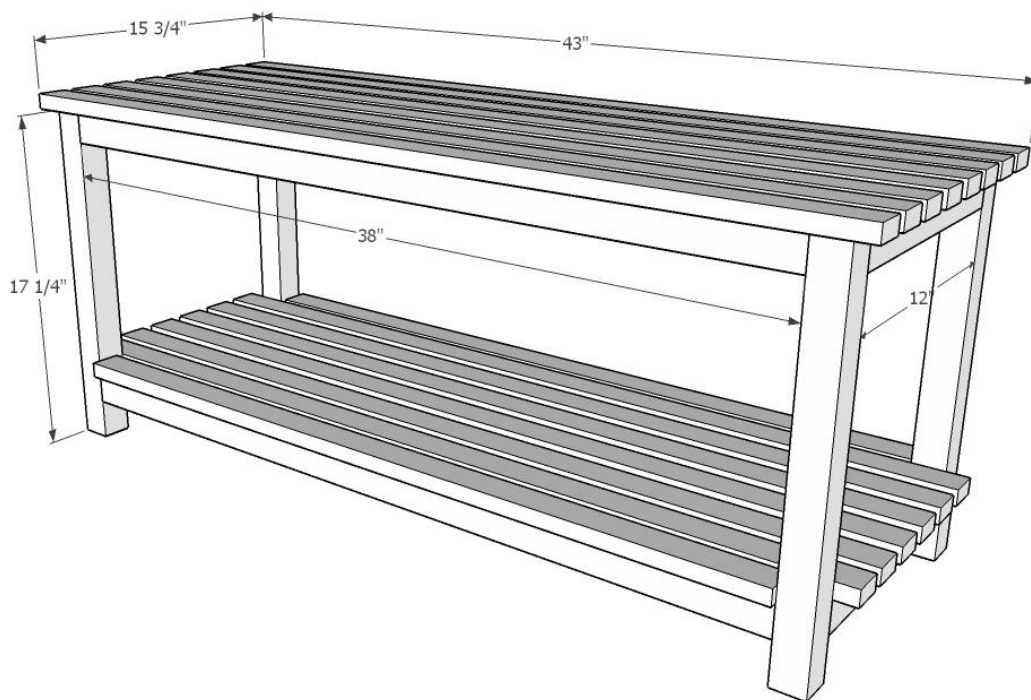
***Before beginning this project, please read through all of the plans as well as the blog post associated with this project. Always use safety precautions whenever using power tools and follow the manufacturer's suggested guidelines. Make sure to wear proper safety protection (eye protection, hearing protection, etc.) before beginning any project. Cut all pieces per the measurements in the plans, unless noted otherwise.**

Materials:

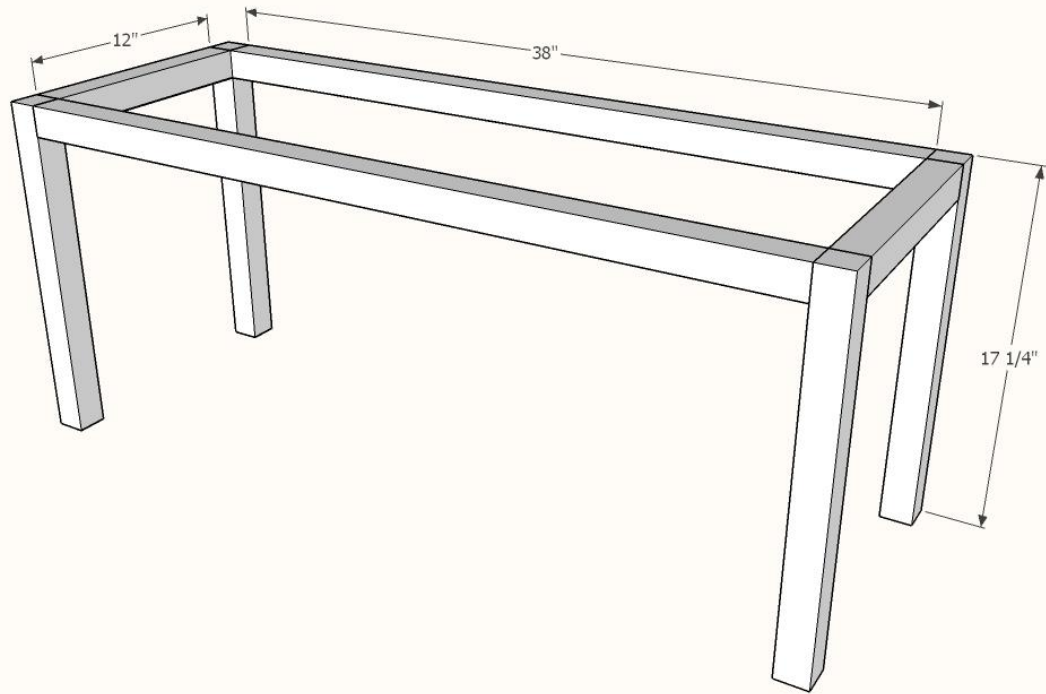
- 8 – 1x2 @ 8' long
- 4 – 2x3 @ 8' long
- 2 ½" pocket screws
- 1 ¼" brad nails
- Wood glue
- Wood filler
- 120 and 220 grit sandpaper
- Stain color of your choice
- Polycrylic or polyurethane

Cut List:

- Rip all 2x3s down to make 2x2s
- 4 – 2x2 @ 17 ¼" long
- 4 – 2x2 @ 38" long
- 10 – 2x2 @ 12" long
- 14 – 1x2 @ 43" long
- 2 – 1x2 @ 38" long

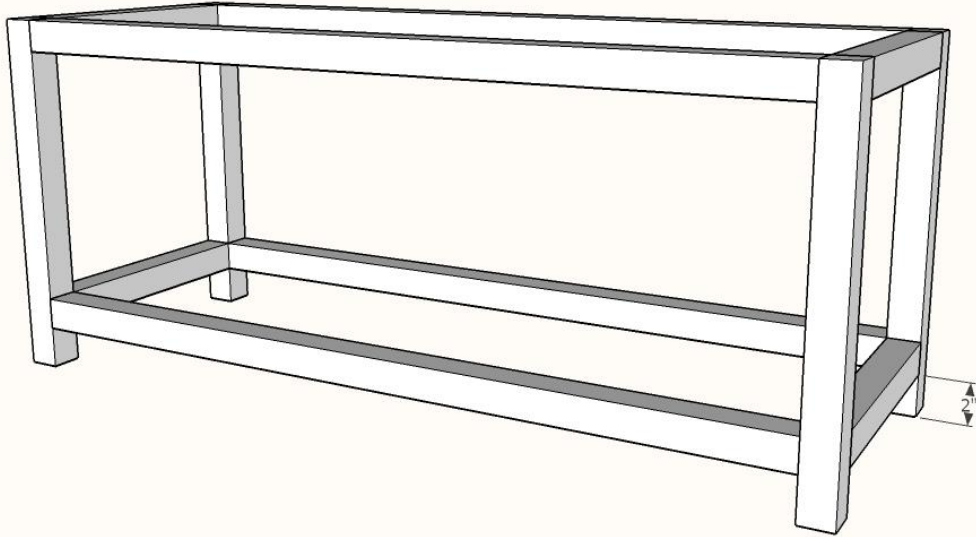


STEP 1:



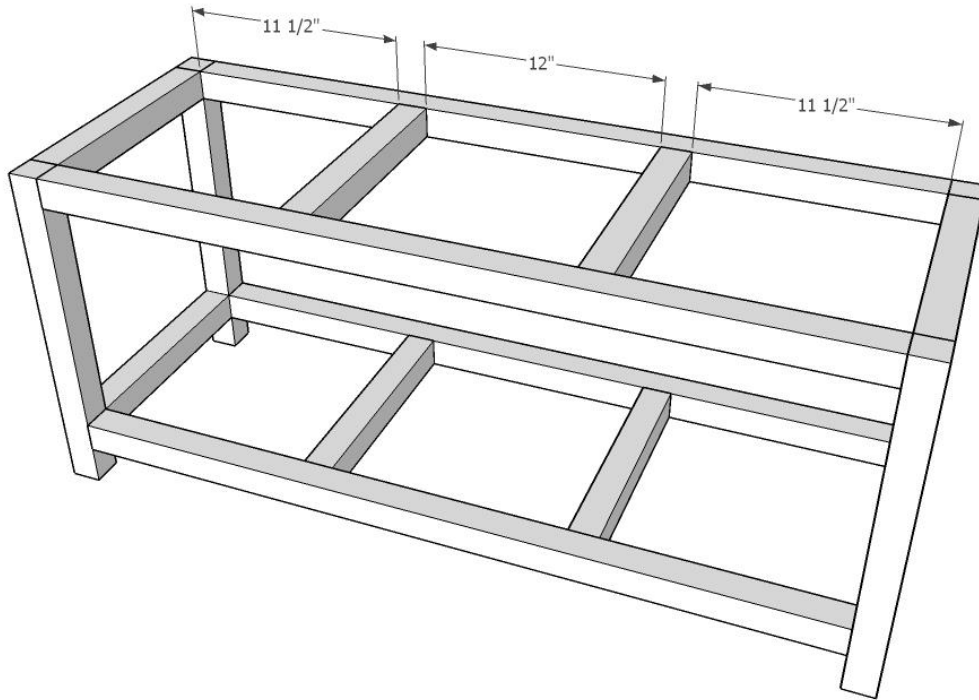
Drill 1 ½" pocket holes into the 38" and 12" pieces. Start by building the bench upside down so the top aprons and stretchers are flush with the tops of the bench legs. Glue and clamp into place. Check for square, then attach to the legs with 2 ½" pocket screws.

STEP 2:



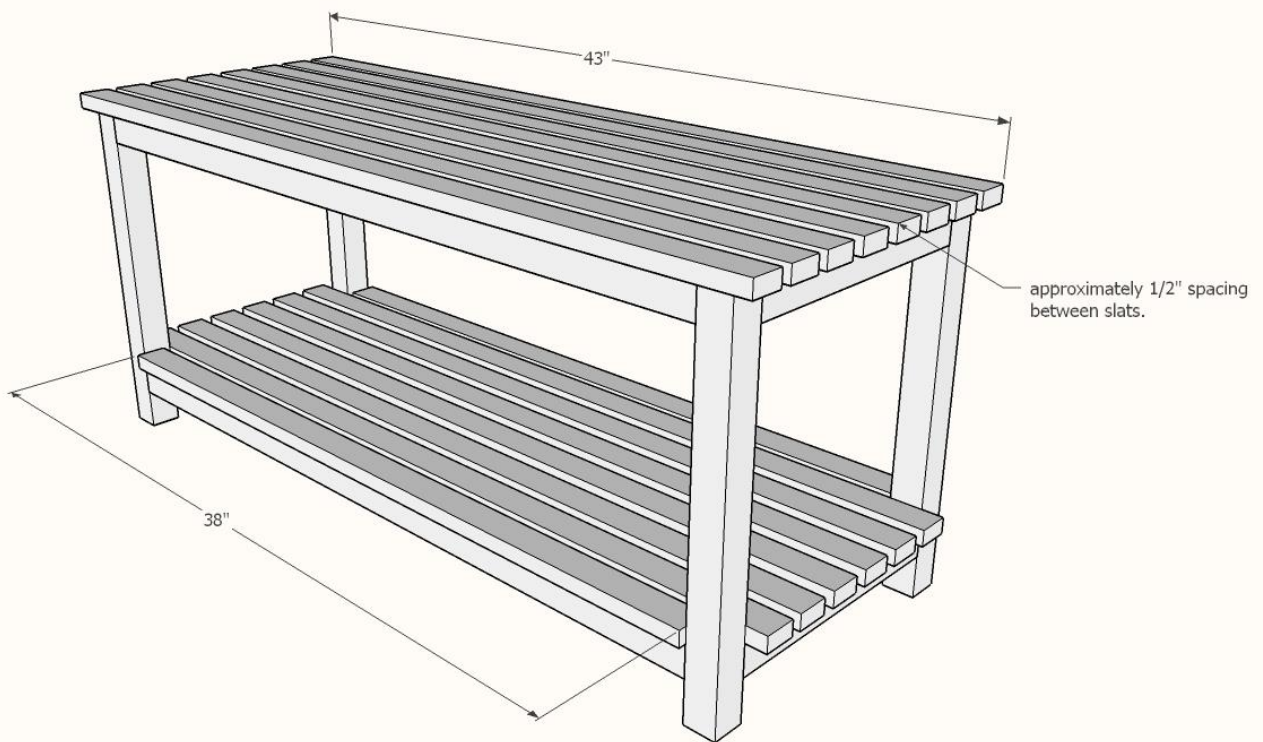
For the lower aprons and stretchers, drill 1 ½" pocket holes. Measure and mark 2" from the bottoms of the legs. Glue and clamp the aprons and stretchers into place, then attach with 2 ½" pocket screws.

STEP 3:



For the supports, drill 1 1/2" pocket holes into each end. Place the outside supports 5 1/2" in from the outside stretchers and center the middle supports so the gap is 11 1/4" from the outside supports.

STEP 4:



Sand all of the slats down with 120 and 220 grit sandpaper. Attach the outside slats with a $\frac{3}{8}$ " overhang. Nail into place with $1\frac{1}{4}$ " brad nails. Space the remaining slats evenly apart, approximately $\frac{1}{2}$ " and nail into place again with $1\frac{1}{4}$ " brad nails.

STEP 5:

Fill in all nail holes with wood filler and sand entire project with 220 grit sandpaper. Finish as desired.