

Rustic Industrial Side Table Plans

Addicted 2 DIY



***Before beginning this project, please read through all of the plans. Always use safety precautions whenever using power tools and follow the manufacturer's suggested guidelines. Make sure to wear proper safety protection (eye protection, hearing protection, etc.) before beginning any project. Cut all pieces per the measurements in the plans, unless noted otherwise.**

MATERIALS:

- 5 – 2X4 boards @ 8' long
- 4 – ½" threaded steel pipe @ 8" long
- 1 – ½" threaded steel cross connector
- 4 – ½" steel pipe caps
- Wood glue
- 2 ½" pocket screws
- Wood filler
- 220 grit sandpaper
- Black spray paint – satin
- Wood stain (I used Minwax Special Walnut)
- Polyurethane

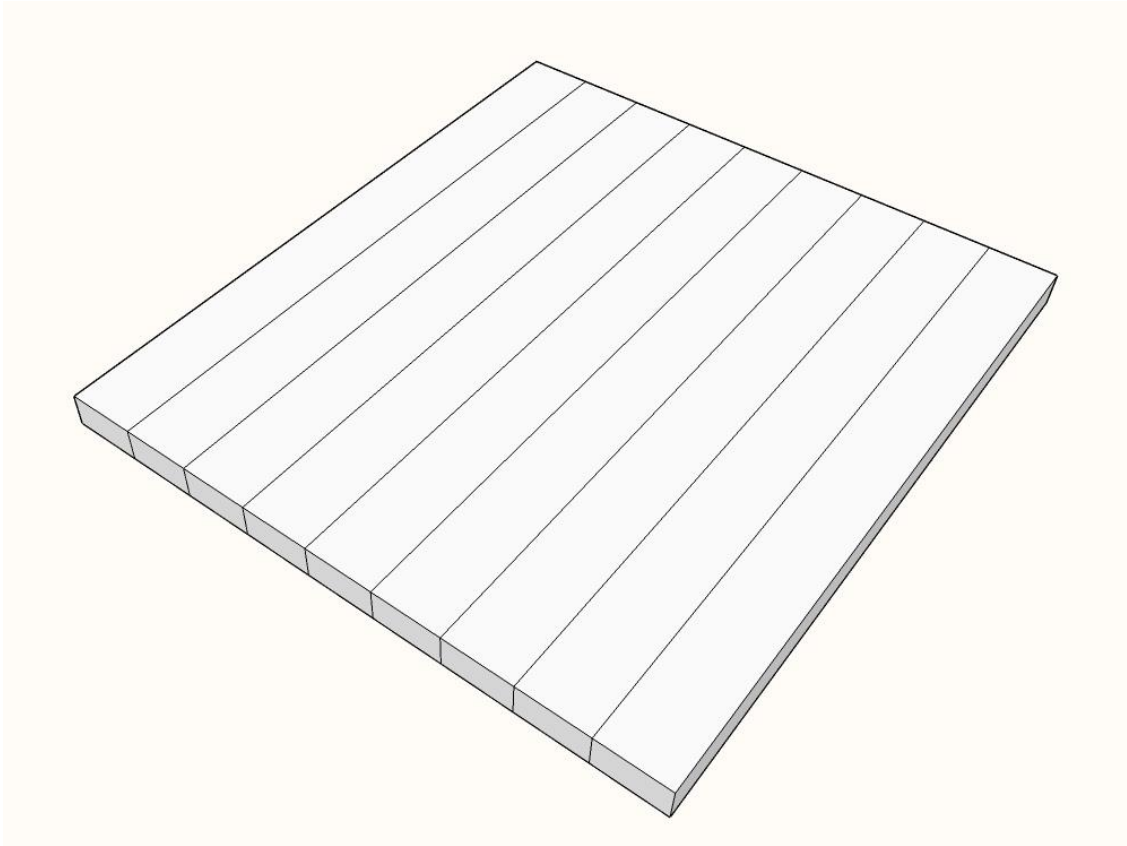
TOOLS:

- Table saw
- Miter saw
- Router
- Rockler trim router circle jig (or jigsaw)
- Clamps
- Kreg Jig R3
- Drill press or handheld drill
- 1" forstner bit or paddle bit
- Orbital sander

CUT LIST:

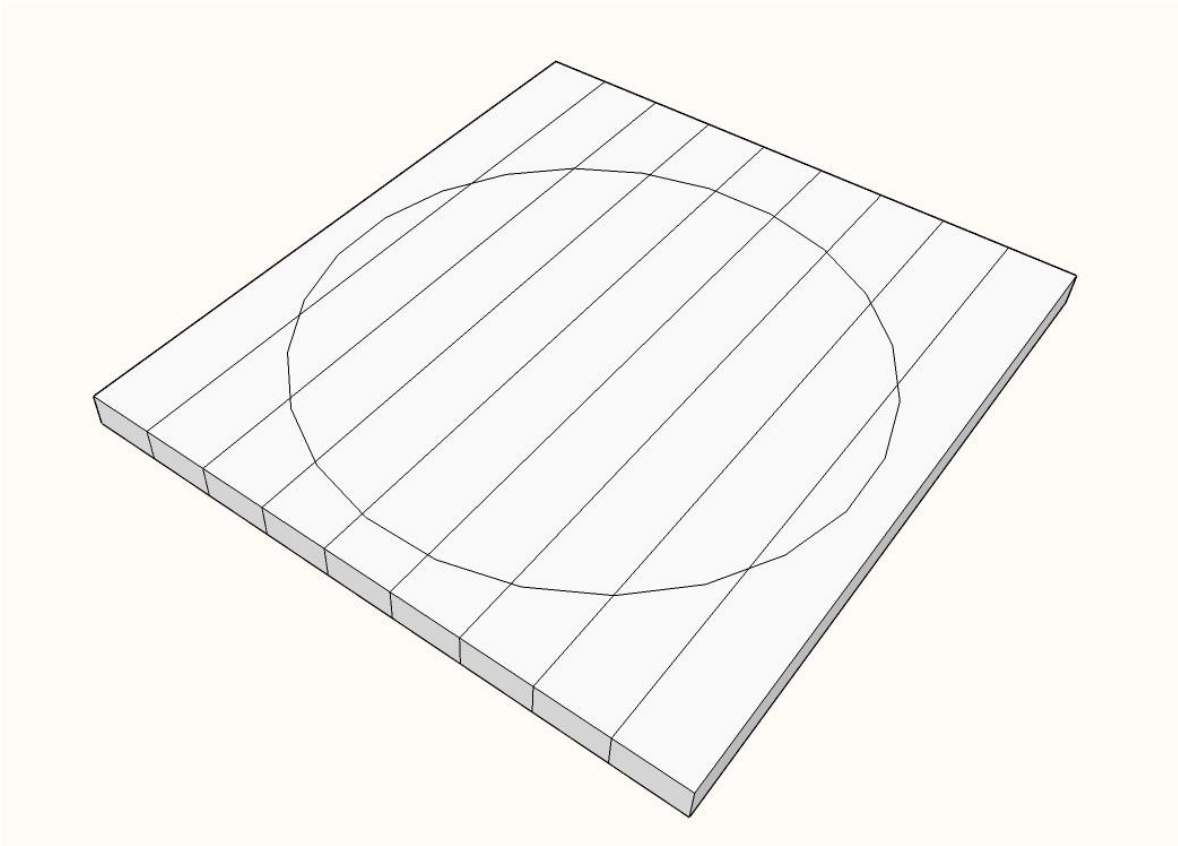
- Rip ¼" off each side of the 2x4s to square up the edges and equal 3" wide
- 9 pieces cut @ 30" long
- 8 pieces cut @ 25" long

STEP 1:



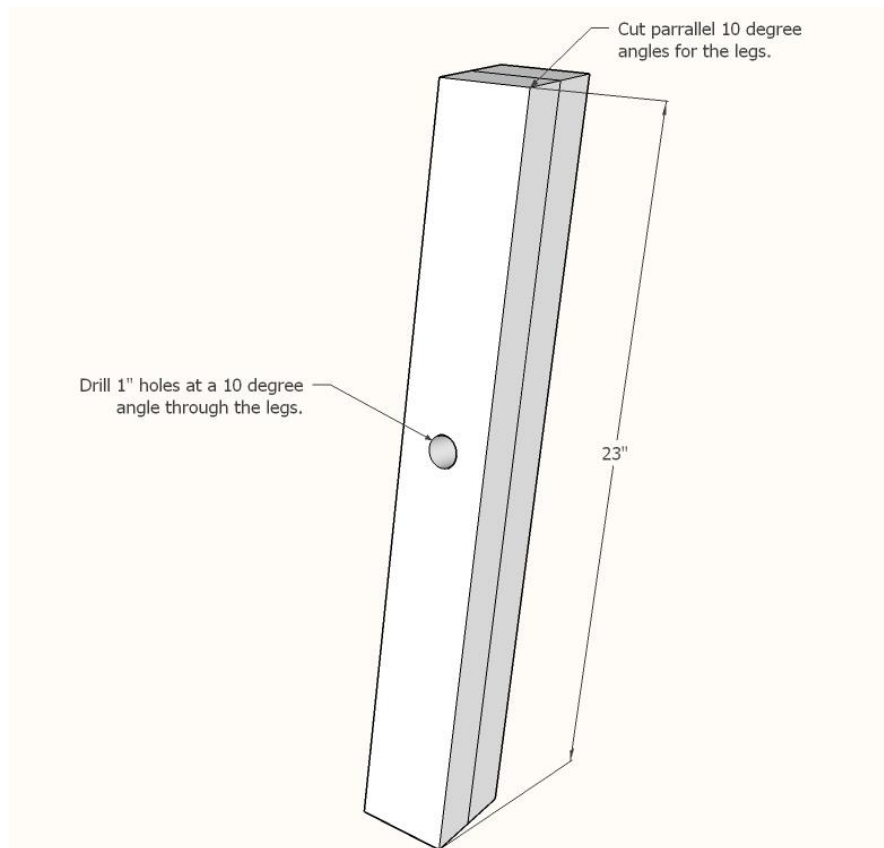
Glue up and clamp the 30" 2x4 pieces (ripped to 3" wide) to form the table top. Let the glue dry for 24 hours.

STEP 2:



Cut a 24" diameter circle using the circle jig on a router with a straight bit. Alternatively, you can find the center and insert a nail into the center point. Tie a string around it and draw a 24" diameter circle with a pencil. Cut with a jigsaw.

STEP 3:



For each leg, glue up two of the 2x4 pieces to make a 3x3 leg. Let dry 24 hours. Cut each end at 10 degree angles, parallel with each other and 23" long.

Measure and mark 12 ½" from the bottom of the long side of the leg. Set a drill press bottom plate at 10 degrees or angle your handheld drill at 10 degrees. With a paddle or forstner bit, drill a 1" hole through the leg.

Using the Kreg Jig R3, drill 1 ½" pocket holes into the tops of the table legs.

STEP 4:



Position the legs on the underside of the table. The inside edges of the legs should be 7" apart and centered on the underside of the table. Mark the footprint of the table legs on the underside of the table top to ensure they are attached in the proper place. Glue the ends of the legs and then attach with 2 ½" pocket screws.

Fill the pocket holes with wood filler and let dry. Sand the entire table down with 220 grit sandpaper. Insert the threaded pipe through the holes and connect in the middle with the cross connector. Add the steel caps to the other ends of the pipe to secure them into place.

To paint the legs, mask off the bottom side of the table top. Lightly spray several coats of black spray paint over the legs and steel pipe. Let dry. Stain the top in your desired color then finish with 2-3 coats of polyurethane.