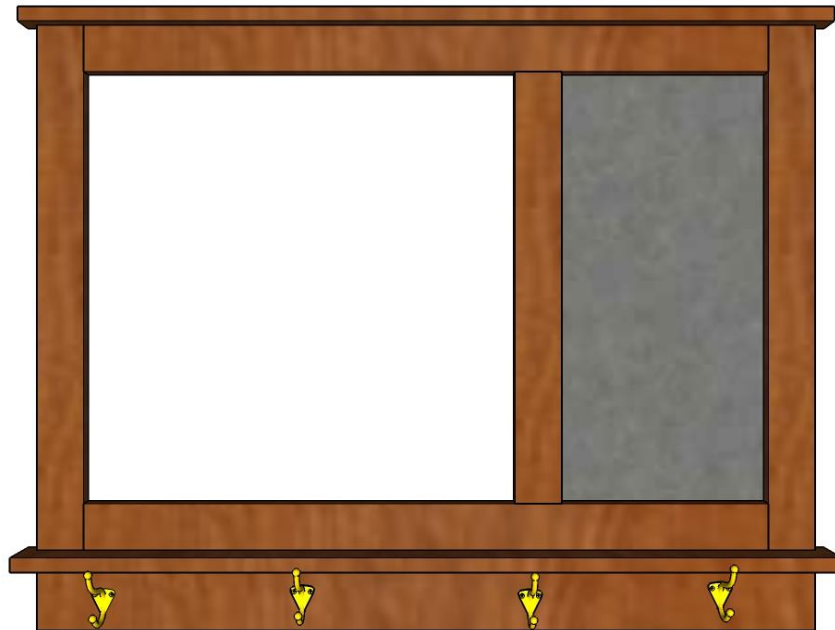


DIY Pegboard Organizer with Magnetic Chalkboard

Addicted2DIY.com



***Before beginning this project, please read through all of the plans and the step-by-step blog tutorial. Always use safety precautions whenever using power tools and follow the manufacturer's suggested guidelines. Make sure to wear proper safety protection (eye protection, hearing protection, etc.) before beginning any project. Cut all pieces per the measurements in the plans, unless noted otherwise.**

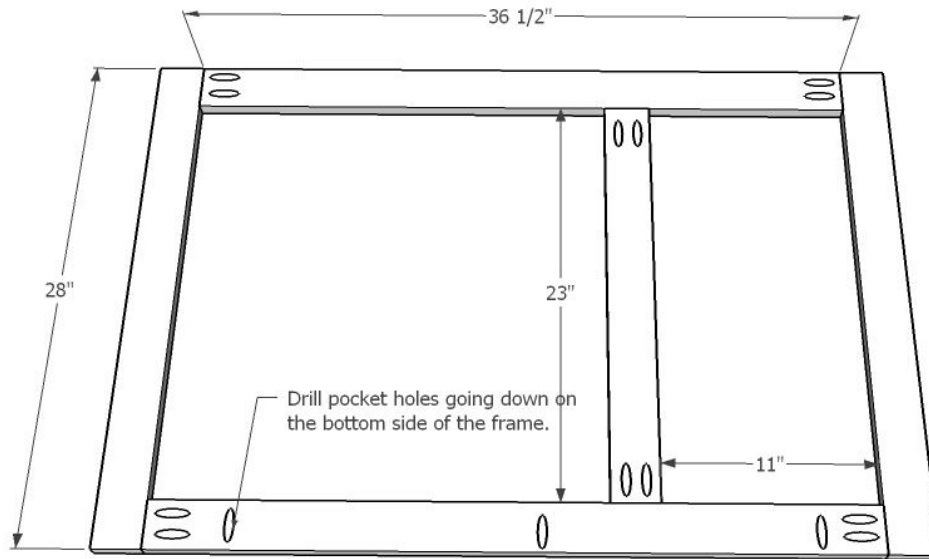
Materials:

- 3 – 1x3 boards @ 8' long
- 1 – 1x4 board @ 6' long
- 1 – 1x2 board @ 8' long
- 1 – 2'x2' pegboard
- 1 – 1'x2' piece of sheet metal (found at Home Depot)
- Kreg Jig
- 1 ¼" pocket screws
- 4 – coat hooks
- Orbital sander
- 220 grit sandpaper
- Brad nailer
- Drill
- Impact driver
- 1 ¼" brad nails
- 5/8" brad nails
- Chalkboard paint
- Stain (I used Minwax special walnut)
- Finish (I used Minwax polyurethane)

Cut List:

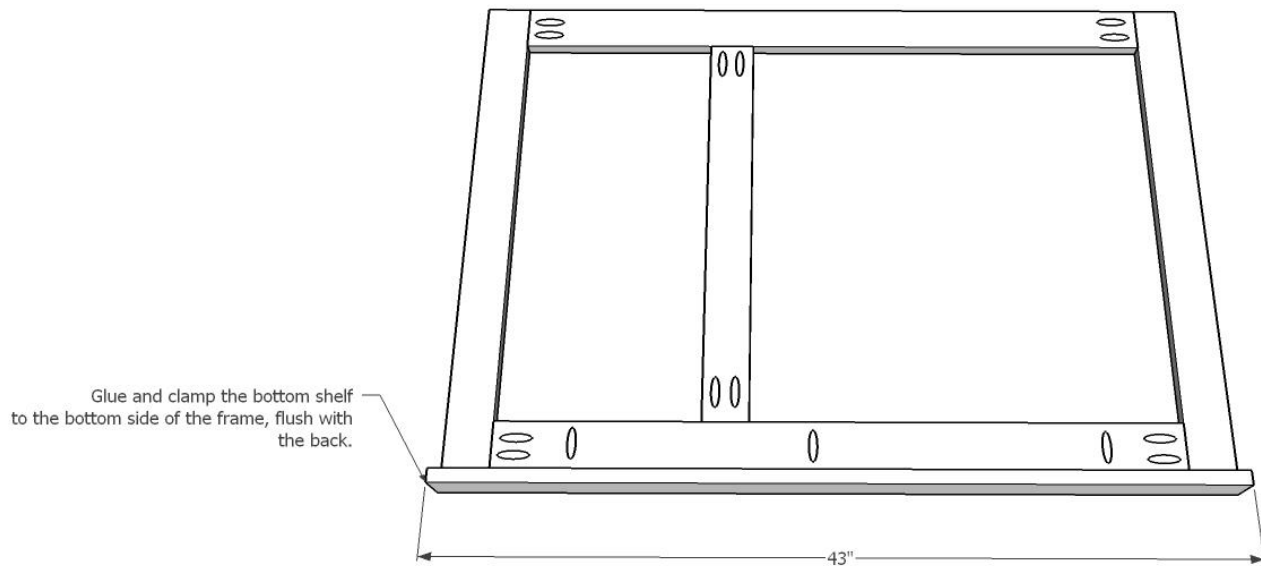
- 2 – 1x3 @ 28" long (sides of frame)
- 2 – 1x3 @ 36 ½" long (top and bottom of frame)
- 1 – 1x3 @ approx 23" (measure inside frame and cut to fit)
- 1 – 1x3 @ 43" long (bottom shelf)
- 1 – 1x4 @ 41 ½" long (backing for coat hooks)
- 1 – 1x2 @ 43" long (top trim)

STEP 1:



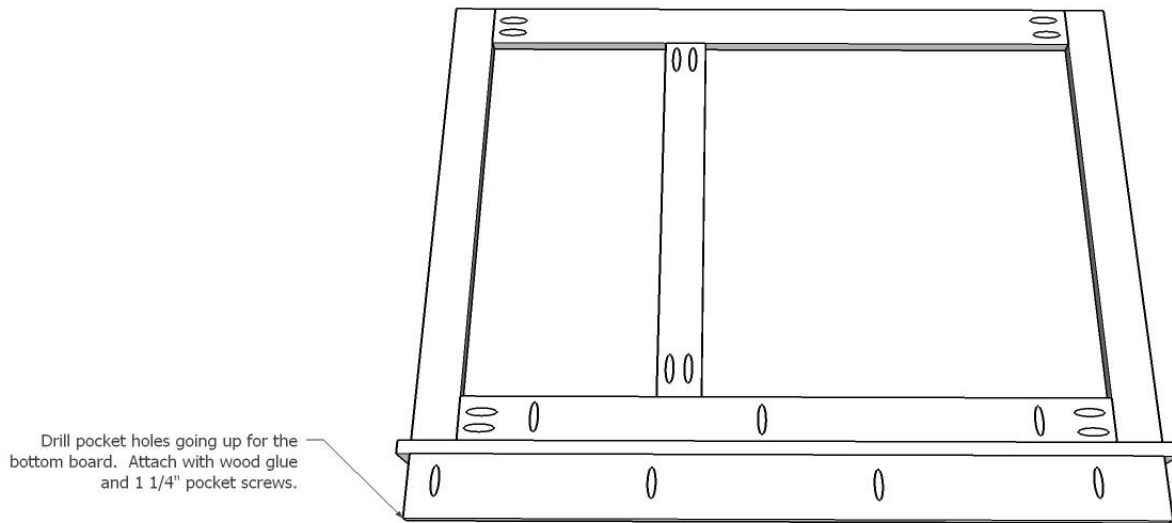
Assemble the frame of the pegboard. Drill $\frac{3}{4}''$ pocket holes into the top and bottom pieces, as shown. Attach to the side pieces using wood glue and $1\frac{1}{4}''$ pocket screws. Measure and cut to size the center divider and drill $\frac{3}{4}''$ pocket holes into each end. Place the divider as shown. Attach with wood glue and $1\frac{1}{4}''$ pocket screws.

STEP 2:



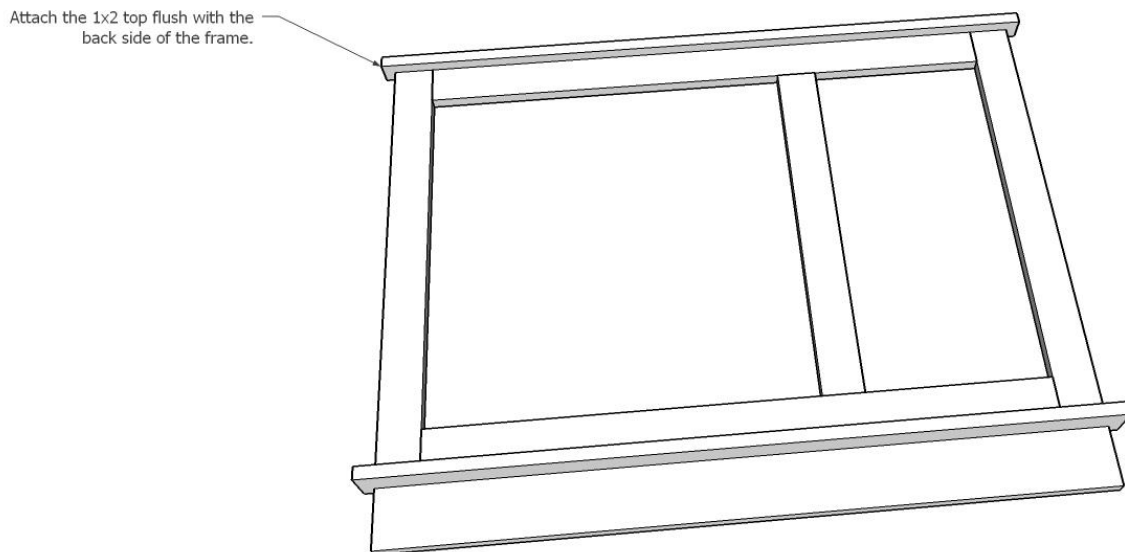
Position the bottom 1x3 shelf with a $\frac{3}{4}''$ overhang on each side of the frame. Glue and clamp in place. Attach with $1\frac{1}{4}''$ pocket screws.

STEP 3:



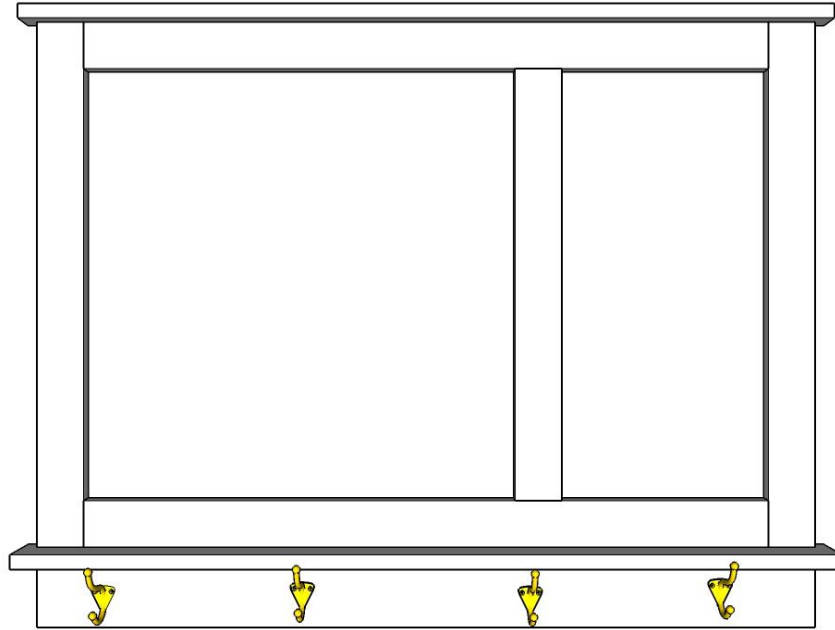
On the backing for the coat hooks, drill $\frac{3}{4}$ " pocket holes to attach to the bottom shelf. Attach with wood glue and 1 $\frac{1}{4}$ " pocket screws.

STEP 4:



For the top, position on frame with a $\frac{3}{4}$ " overhang on each side. Glue and clamp into place. Attach with 1 $\frac{1}{4}$ " brad nails.

STEP 5:



Sand the project and finish as desired.

For the sheet metal: Tape off a ½" border around the edges of the sheet metal. Paint the metal with two coats of chalkboard paint and let dry. Attach the sheet metal to the narrow side on the back with Elmer's Pro Bond. Weigh down the edges and let dry for 24 hours.

For the pegboard: Center over the 23" opening. Glue and nail into place with 5/8" brad nails.

Attach D ring hooks to the back of the pegboard frame. See my blog post for how to hang onto the wall.