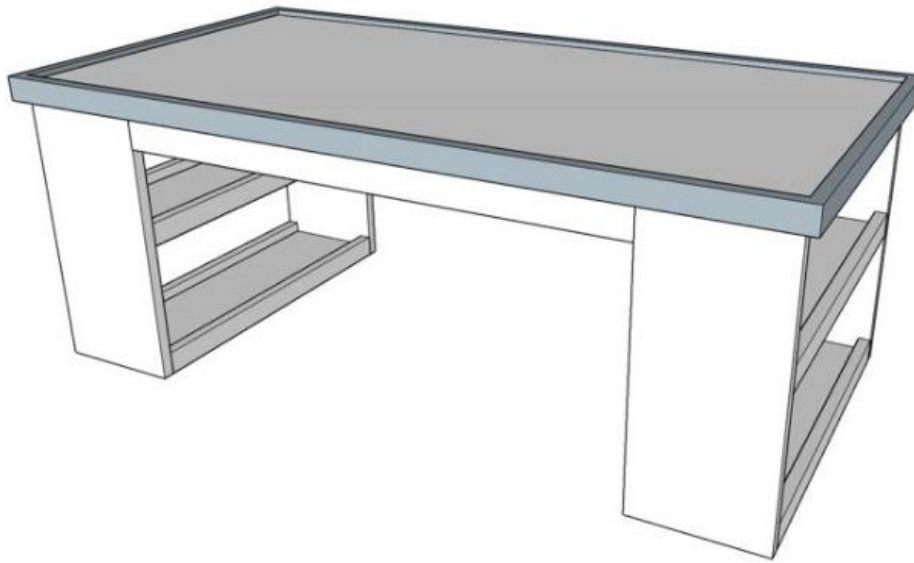


DIY 4-in-1 Activity Table

Addicted2DIY.com



***Before beginning this project, please read through all of the plans. Always use safety precautions whenever using power tools and follow the manufacturer's suggested guidelines. Make sure to wear proper safety protection (eye protection, hearing protection, etc.) before beginning any project. Cut all pieces per the measurements in the plans, unless noted otherwise.**

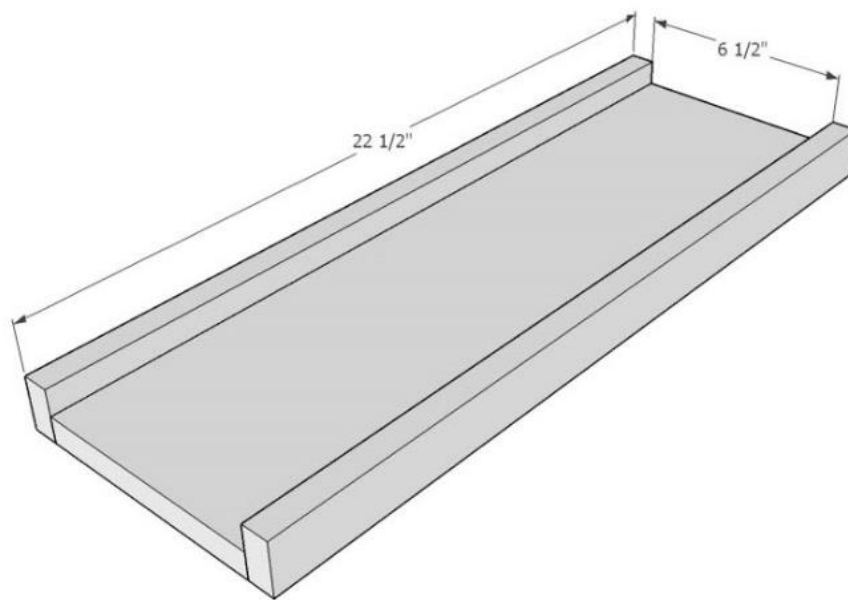
MATERIALS LIST:

- 4X8' sheet of $\frac{3}{4}$ " birch plywood
- 2x4' sheet of $\frac{1}{2}$ " birch plywood
- 4 – 1x2 pine boards @ 8' (I used select pine)
- 1 – 1x3 pine board @ 6' long
- 1 – $\frac{3}{4}$ " wood dowel @ 3' long
- 1 set of wood closet pole sockets
- 6 lego base plates
- Roll of paper
- Storage containers
- Wood glue
- Super glue gel
- Chalkboard paint
- 220 grit sandpaper
- 1 $\frac{1}{4}$ " pocket screws
- 1 $\frac{1}{4}$ " brad nails

CUT LIST:

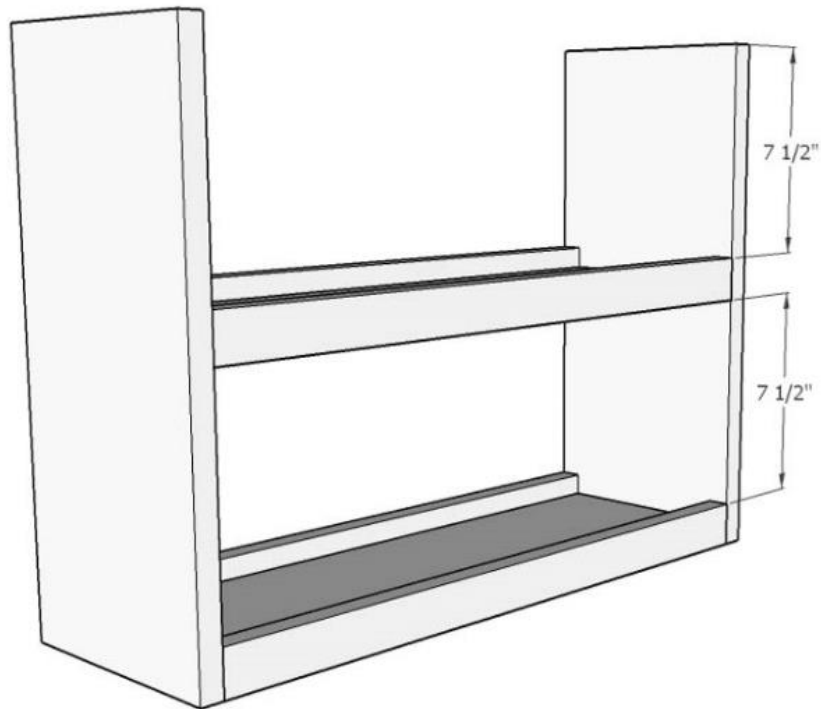
- 4 – ¾" plywood @ 18" long x 8" wide (vertical base pieces)
- 4 – ¾" plywood @ 22 ½" long x 6 ½" wide (shelves)
- 2 – ¾" plywood @ 22 ½" long x 2 ½" wide (top base supports)
- 2 – 1x3 boards @ 31 ¾" long (front and back stretchers)
- 8 – 1x2 boards @ 22 ½" long (shelf trim)
- 2 – 1x2 boards @ 49 ½" long (tabletop trim, measure and cut to size)
- 2 – 1x2 boards @ 25 ½" long (tabletop trim, measure and cut to size)

STEP 1:



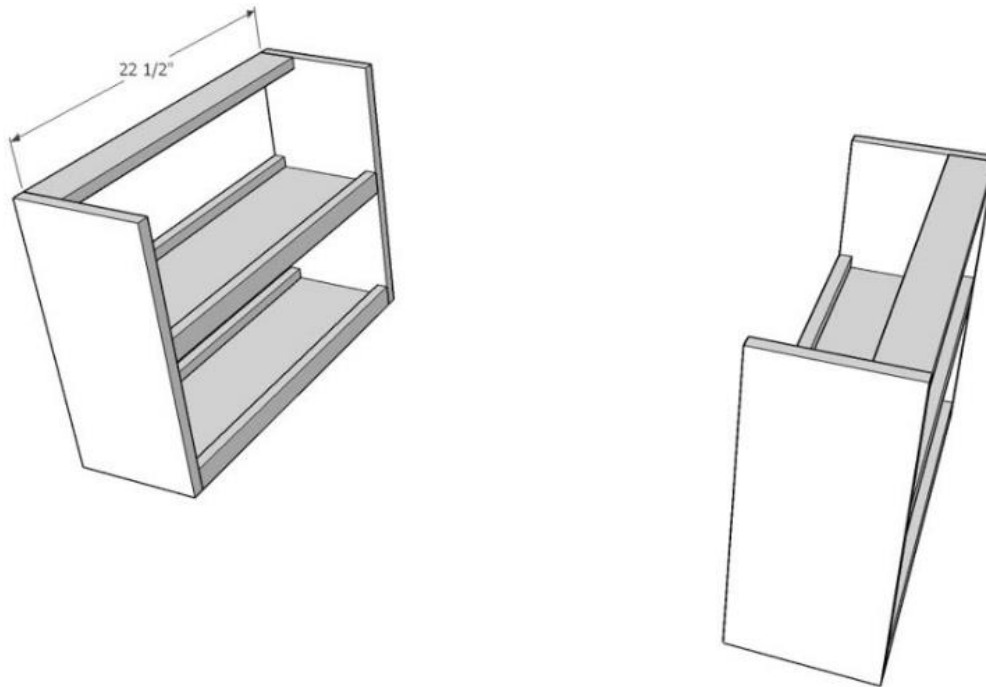
Drill ¾" pocket holes into each end of the 6 ½" x 22 ½" shelves. Attach the 1x2 trim flush with the bottom of each shelf with wood glue and 1 ¼" brad nails.

STEP 2:



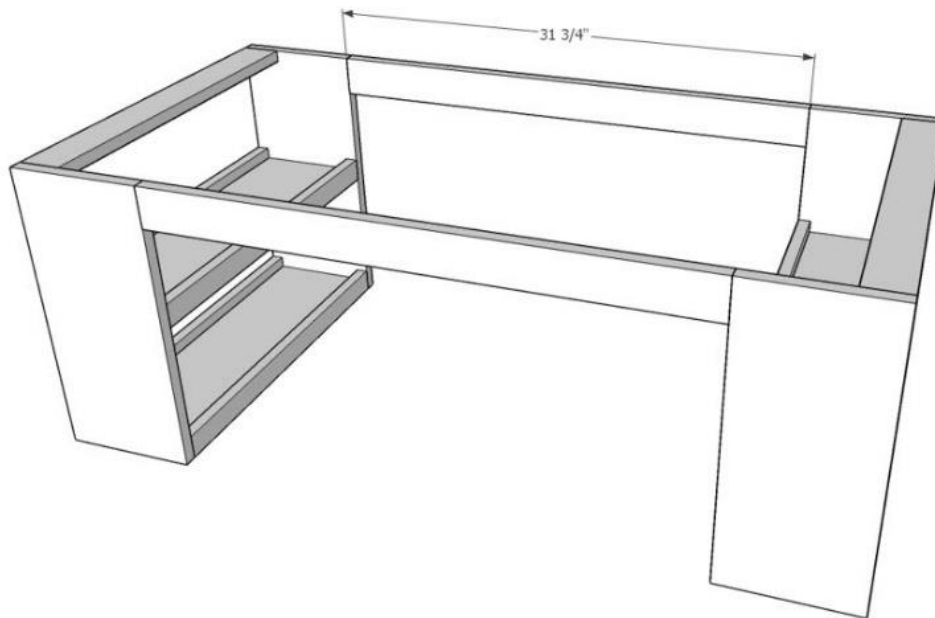
Attach the front and rear vertical base pieces to the shelves with wood glue and 1 ¼" pocket screws. There should be 7 ½" spacing between the shelves.

STEP 3:



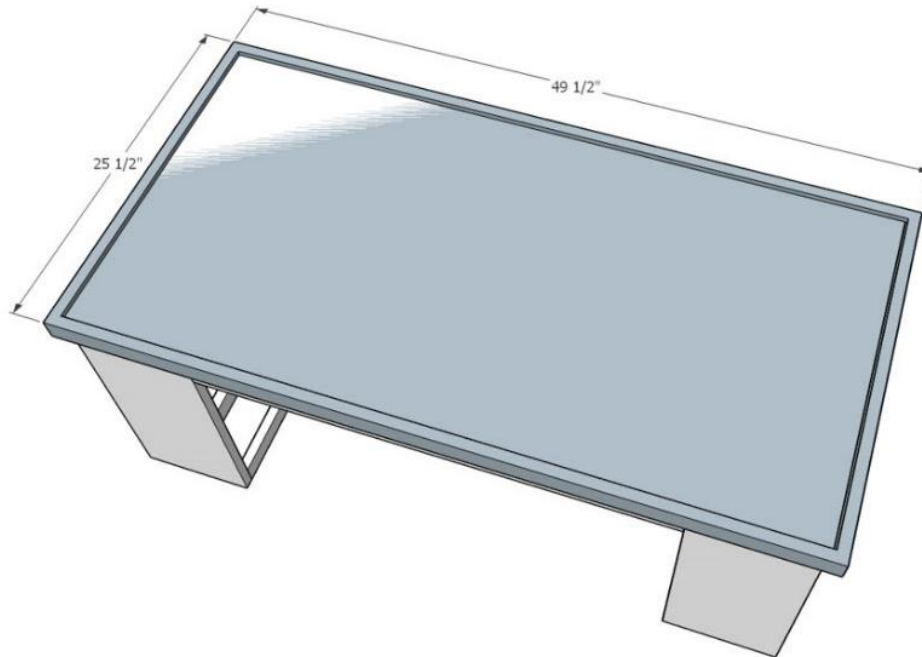
Drill $\frac{3}{4}$ " pocket holes into each end of the 22 $\frac{1}{2}$ " supports and attach to the base pieces with wood glue and 1 $\frac{1}{4}$ " pocket screws.

STEP 4:



Drill $\frac{3}{4}$ " pocket holes into the 1x3 stretchers and attach to the base pieces with 1 $\frac{1}{4}$ " pocket screws. **DO NOT USE WOOD GLUE!** This allows the table to be taken apart and moved around, if needed.

STEP 5:



Place the 2' x 4' sheet of plywood on top of the train table base. Measure and cut the 1x2 trim to size and attach to the 1x2" plywood sheet with wood glue and 1 1/4" brad nails. Be careful to drive the nails perfectly into the plywood to prevent them from breaking through the top or the bottom.

STEP 6:

Sand down the entire project and finish as desired. Paint one side of the top with chalkboard paint. Attach the lego plates to the opposite side with super glue gel.