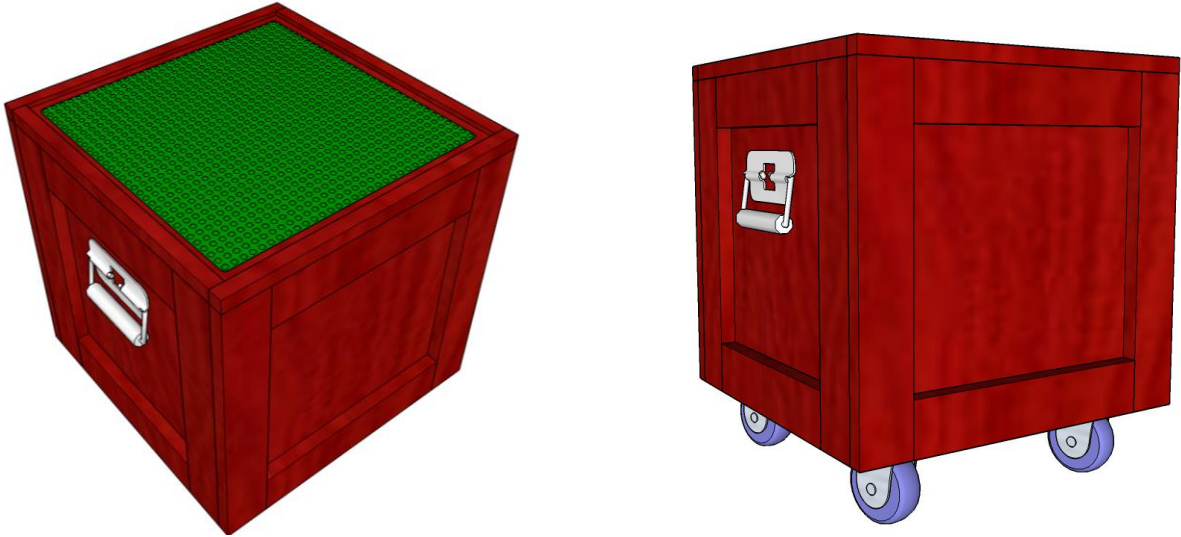


DIY Lego Storage Cube



***Before beginning this project, please read through the entire tutorial. Because wood varies in size and width, make sure to measure your project before cutting the trim pieces.**

Materials:

1 sheet ½ birch veneer plywood (save the rest for another project)

2 – ¾" square dowels @ 4' long

3 – 1x3 @ 8' long

Kreg Jig

1" pocket screws

Brad nailer

1 ¼" brad nails

1" brad nails

¾" brad nails

Lego baseplate or Duplo baseplate

Casters

Trunk handles

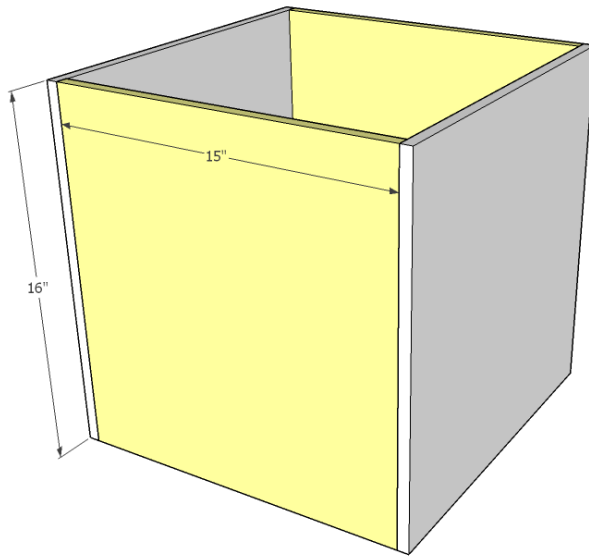
Wood Glue

220 grit sandpaper

Cut List:

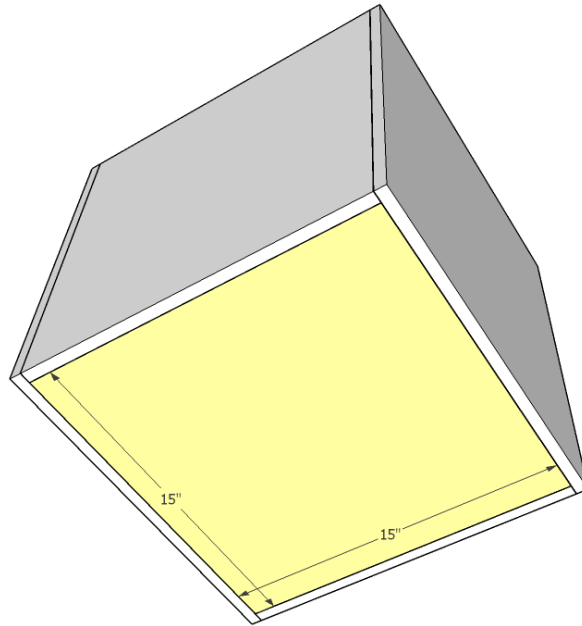
- 3 – ½" plywood cut at 16" squares
- 3 – ½" plywood cut at 15" squares
- 8 – 1x3 cut at 16" long
- 4 – 1x3 cut at 11" long
- 4 – 1x3 cut at 12 ½" long
- 2 – ¾" square dowels cut at 16"
- 2 – ¾" square dowels cut at 17 ½"
- 2 – ½" plywood strips cut at 1" wide and 14" long

Step 1:



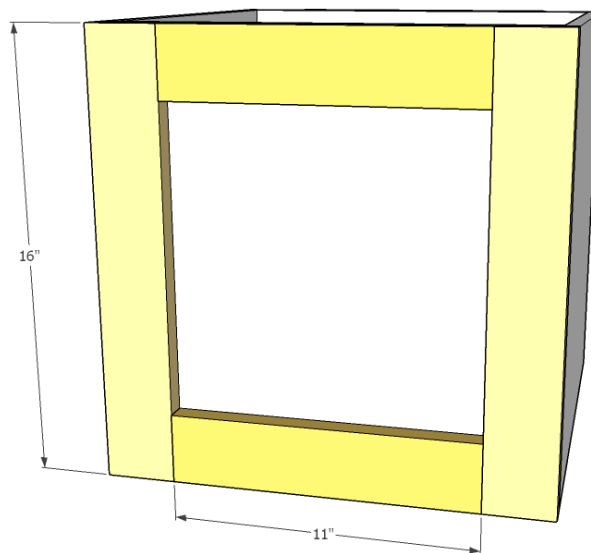
Drill ½" pocket holes into the 15" sides of the box. Attach to the 16" sides using wood glue and 1" pocket screws.

Step 2:



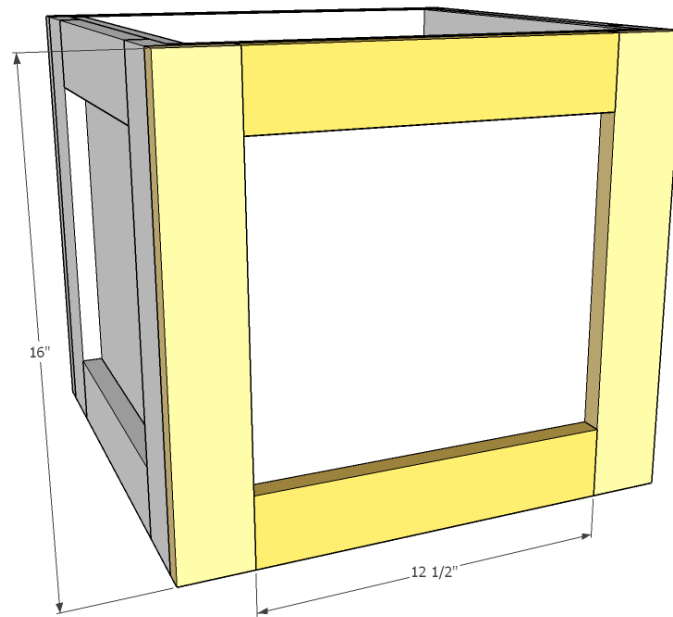
Drill $\frac{1}{2}$ " pocket holes into all four sides of the 15" bottom piece of the box. Attach flush with the inside bottom of the box using wood glue and 1" pocket screws.

Step 3:



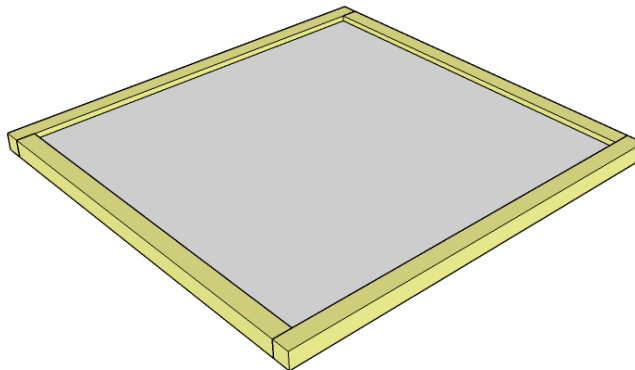
Attach two of the 16" 1x3 trim pieces flush with the sides of the box using wood glue and 1" brad nails. Measure the distance between the 1x3 trim pieces and cut 1x3 trim pieces to fit. Attach with wood glue and 1" brad nails. Do the same for the other side.

Step 4:



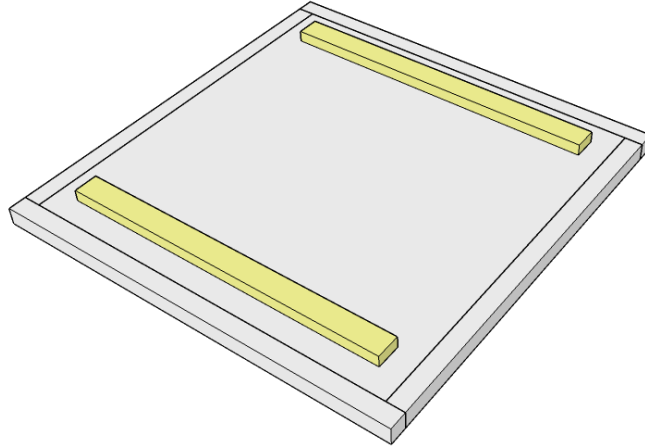
Attach two 16" trim pieces flush with the outer edge of the trim pieces on the other sides of the cube using wood glue and 1" nails. Measure the distance between the vertical trim and cut the top and bottom trim to fit (approx. 12 1/2"). Attach with wood glue and 1" nails.

Step 5:



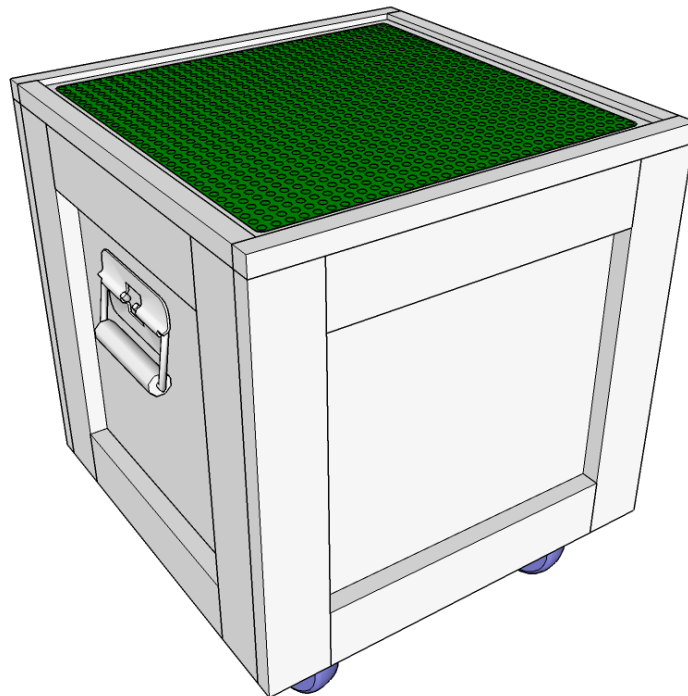
Cut a 16" square from 1/2" plywood for the lid. Cut two 3/4" square towel pieces at 16". Glue and nail them to opposite ends of the lid with 1 1/4" nails, making them flush with the bottom of the plywood. Cut two more 3/4" square dowels at 17 1/2" long. Glue and nail to the other edges of the 1/2" plywood with wood glue and 1 1/4" brad nails.

Step 6:



Cut scrap $\frac{1}{2}$ " plywood into 1" x 14" long pieces. These will act as stops to keep the lid from sliding off. Center the plywood strips onto the bottom of the box and about $1\frac{1}{2}$ " in from the outer edge of the lid. Attach with wood glue and $\frac{3}{4}$ " brad nails.

Step 7:



Paint or stain storage cube in desired color, then glue Lego or Duplo baseplate to lid with superglue. Attach trunk handles and casters, if desired.