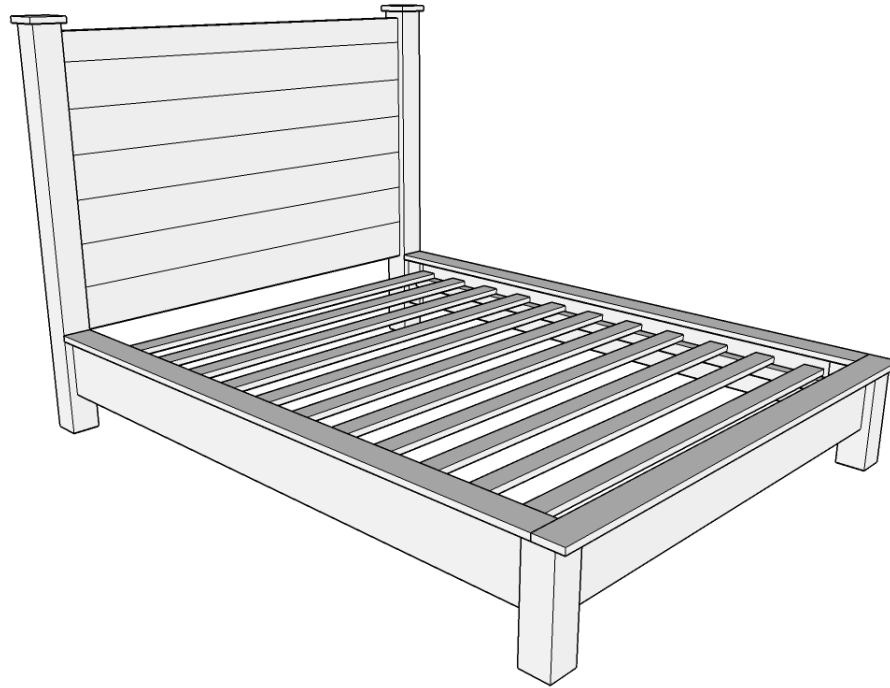


PB Teen-Inspired Double Bed

Addicted2DIY.com



***Before beginning this project, please read through all of the plans and the blog tutorial. When building this project, be sure to measure your wood and cut to fit. The measurements listed are all approximates as wood dimensions can vary depending on the type of wood used and the dryness of the wood.**

Materials:

- 1 sheet $\frac{3}{4}$ " birch plywood
- 4 – 1x4 boards @ 8' long
- 3 – 1x6 boards @ 10' long (or 6 @ 8' long)
- 2 – 4x4 boards @ 8' long
- 3 – 1x8 boards @ 8' long
- 2 – 2x2 boards @ 8' long
- 11 – 1x3 boards @ 8' long
- 1 – 2"x3" roof flashing @ 10' long
- 2 – $\frac{3}{4}$ " x 2" lag bolts
- Kreg jig
- Drill
- Brad nailer
- Bed frame brackets
- Orbital sander
- 1 $\frac{1}{4}$ " pocket screws

1 ¼" construction screws

2" construction screws

Cut List:

¾" plywood cut @ 55 ½" x 36 ½" (headboard back)

1 – 1x4 @ 55 ½" (top board of headboard)

6 – 1x6 @ 55 ½" (headboard)

2 – 4x4 @ 50 ¼" (headboard posts)

2 – 1x8 @ 73 ½" (side rails)

2 – 4x4 @ 12 ¼" (footboard posts)

1 – 1x8 @ 55 ½" (footboard)

2 – 1x4 @ 74 ½" (side rail tops)

1 – 1x4 @ 62 ½" (footboard top)

2 – 2x2 @ 68 ½" (support rails)

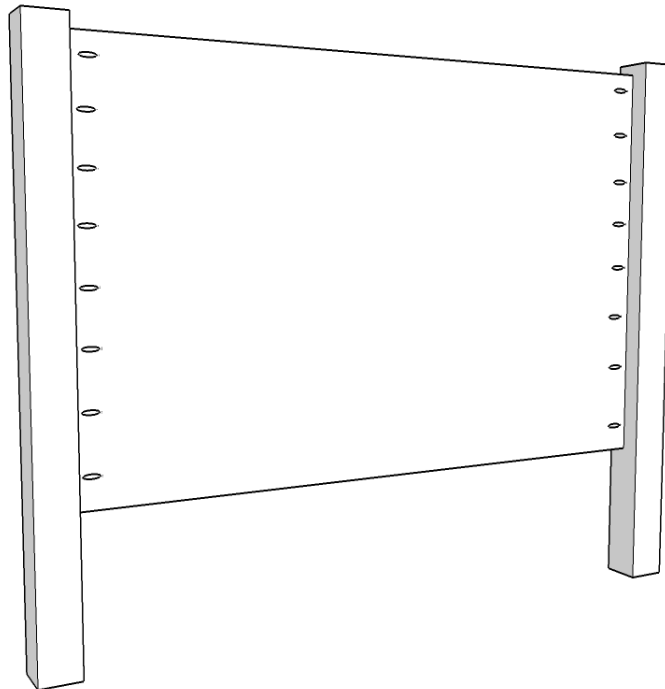
11 – 1x3 @ 58 ¾" (slats)

1x6 cut @ 4 ½" x 4 ½" square (bed post caps)

Roof flashing cut at 59 ¼"

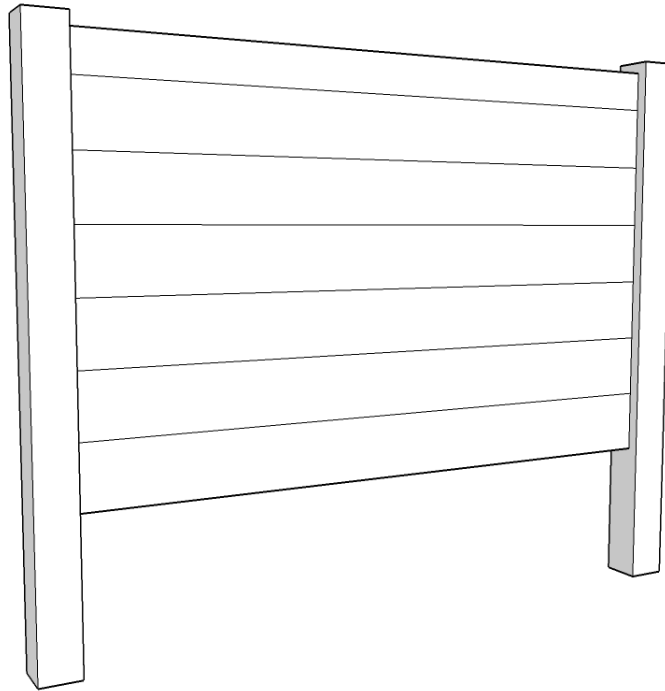
1x3 pieces cut @ 1/8" thick (decorative pieces)

Step 1:



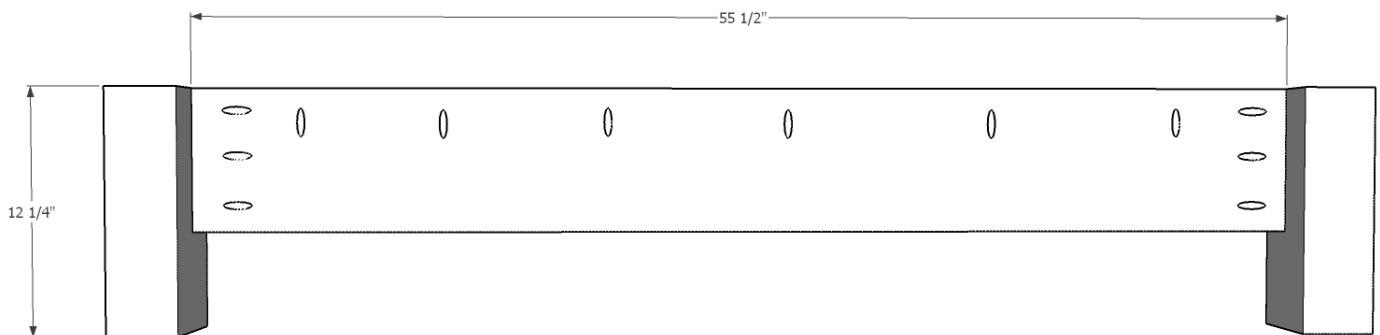
Drill ¾" pocket screws into each side of the headboard backing. Glue and clamp the headboard backing to the 4x4 legs. The headboard backing should be set in 1" from the back of the legs with the pocket holes being on the side that will be the front of the headboard. They will be covered by the 1x4 and 1x6 boards. Attach to the legs using 1 ¼" pocket screws.

Step 2:



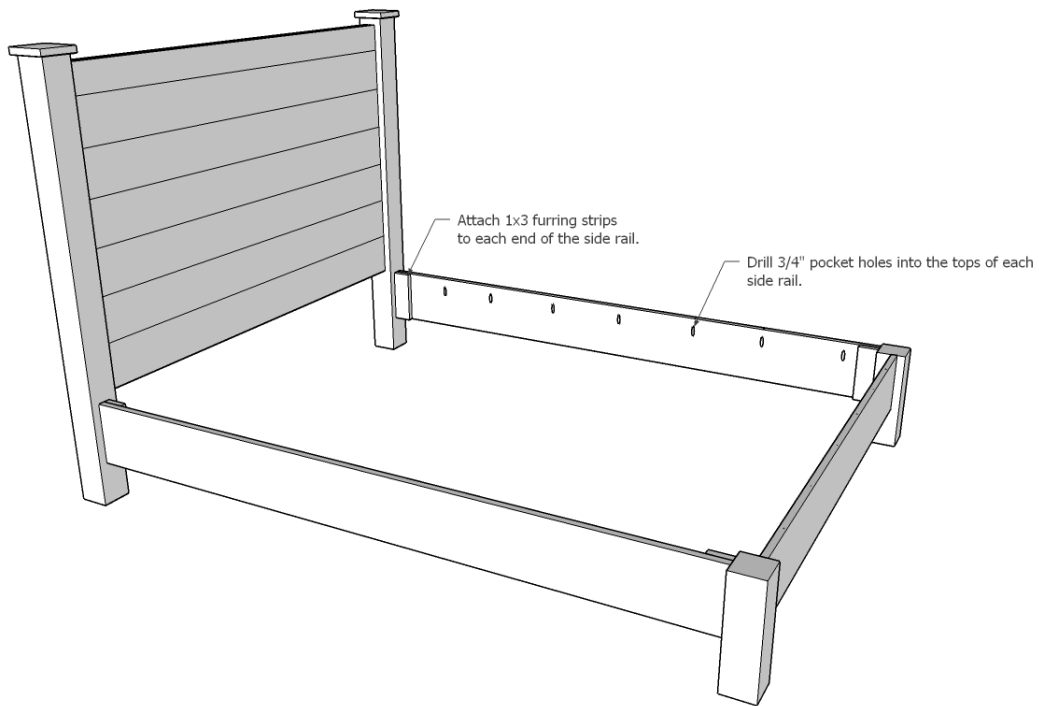
Apply wood glue to the entire plywood face of the headboard. Place the 1x4 board flush with the top and then place the 1x6 boards onto the rest of the headboard. Attach to the plywood using 1 ¼" brad nails.

Step 3:



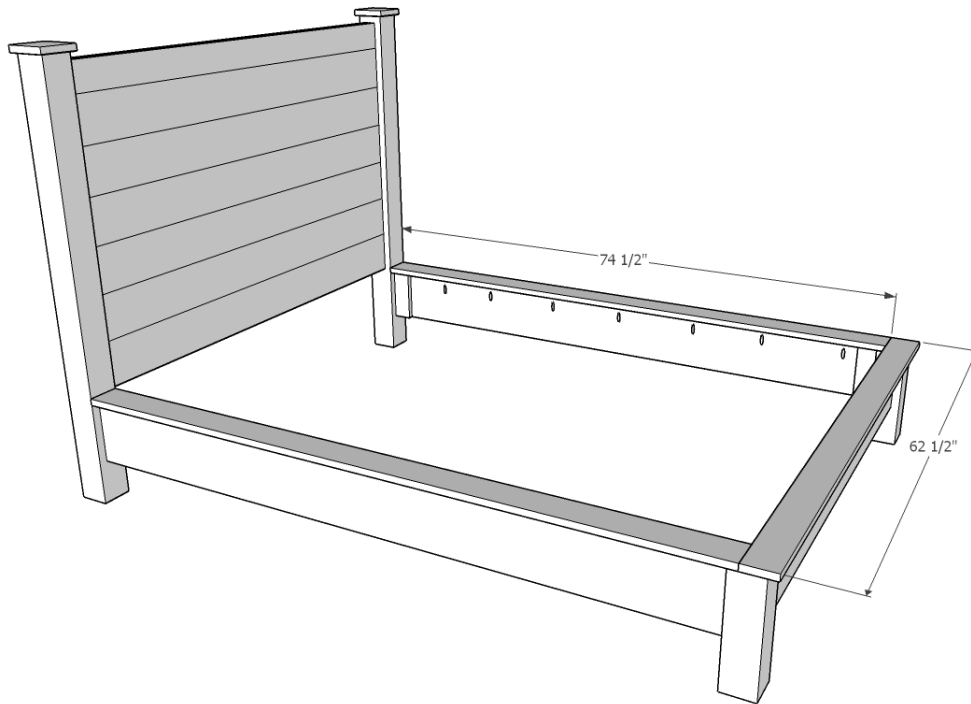
Build the footboard. Drill ¾" pocket holes into each end and the top of the 55 ½" long 1x8 board. Glue and clamp, then attach to the legs using 1 ¼" pocket screws. **Drill ¾" pocket holes into the tops of the footboard rails and side rails.**

Step 4:



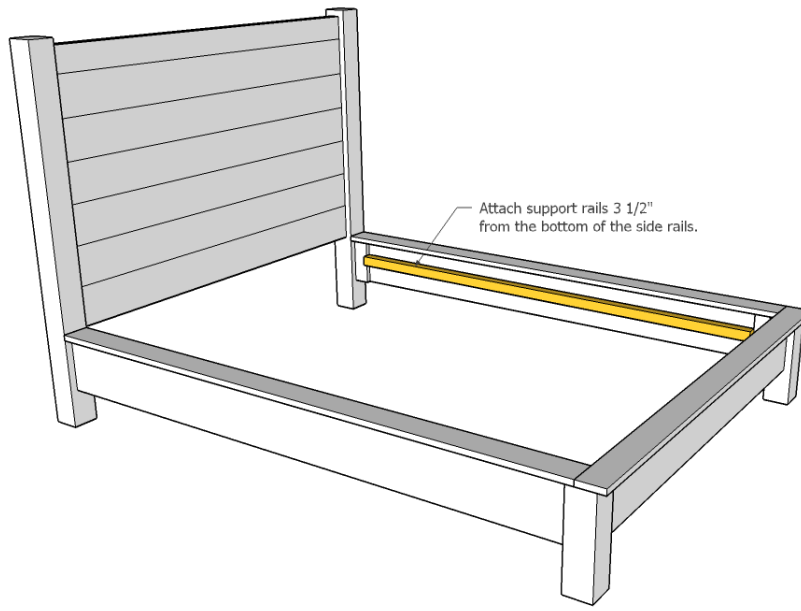
Attach the furring strips to each end of the side rails using wood glue and 1 ¼" construction screws. Then attach the bed frame brackets to the side rails and the legs.

Step 5:



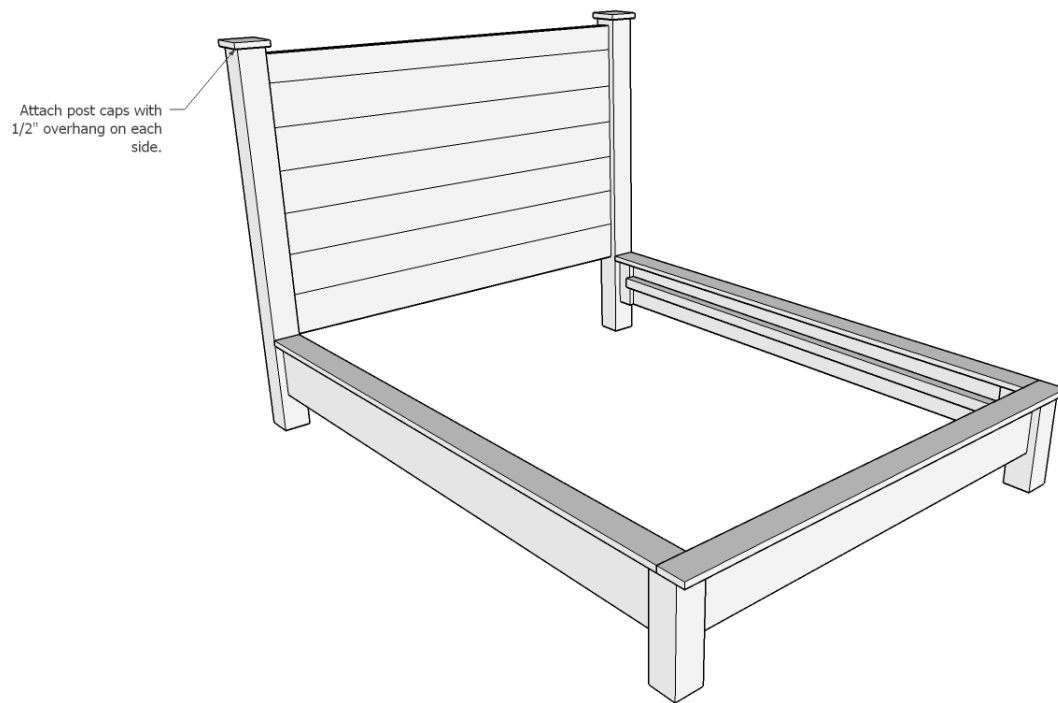
Attach the tops of the side rails and footboard using wood glue and 1 ¼" pocket screws. **DO NOT** glue the tops of the side rails where they overlap onto the footboard legs.

Step 6:



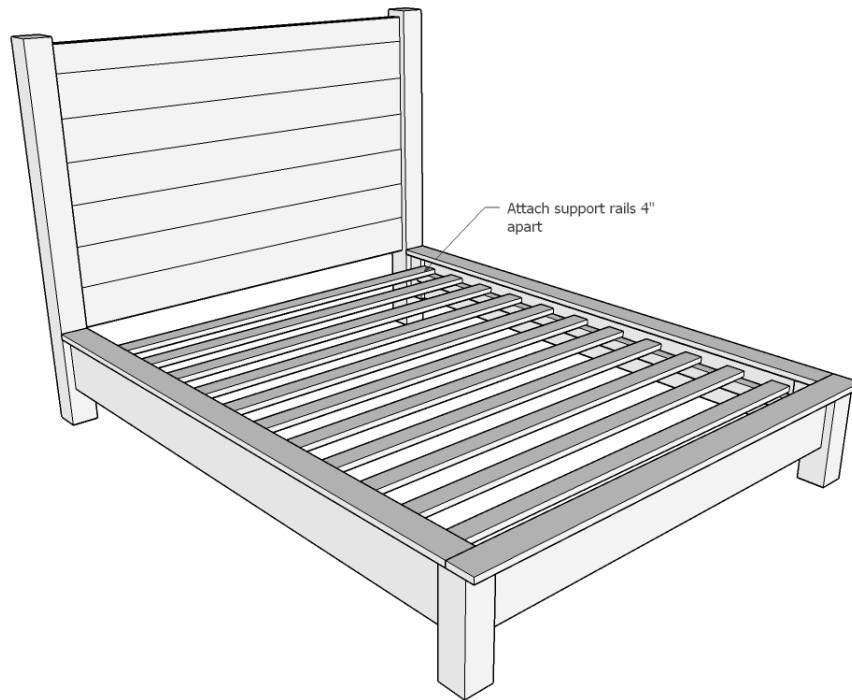
Attach the interior support rails to the side rails using wood glue and 2" construction screws. The height of the support rails can be changed to fit the thickness of the mattress for the bed, or how high the mattress sits on the slats. The mattress I used was 10" thick and I wanted it to sit 6" above the sides of the bed.

Step 7:



Attach the post caps and decorative accents (see blog post) using wood glue and brad nails. Attach the metal flashing using the tutorial in the blog post. If not using flashing, the top of the headboard (where the plywood and 1x4 are flush) can be filled and sanded with wood filler and then painted with a metallic paint to look like metal.

Step 8:



Attach bed rail supports 4" apart using 2" screws. Do not glue the supports down.

Final Dimensions:

Fits a double mattress with approximately a 1" gap on each side.

