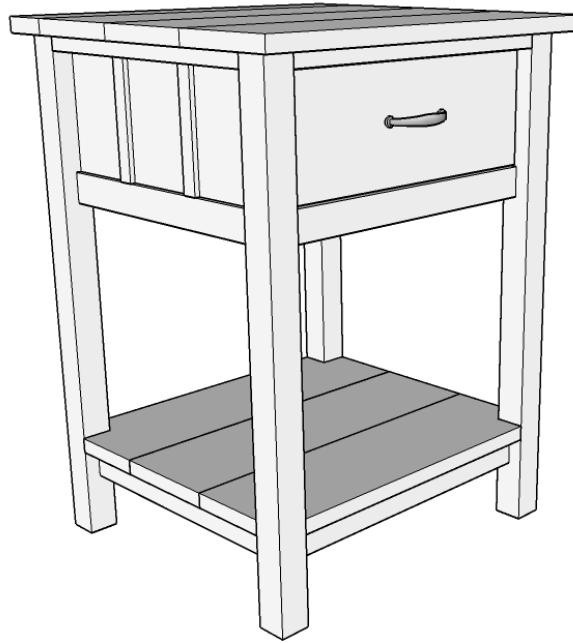


PB Kids-Inspired Camp Nightstand



***Before beginning this project, please read through all of the plans and the blog post. When building this project, be sure to measure your wood and cut to fit. The measurements listed are all approximates as wood dimensions can vary depending on the type of wood used and the dryness of the wood.**

Materials List:

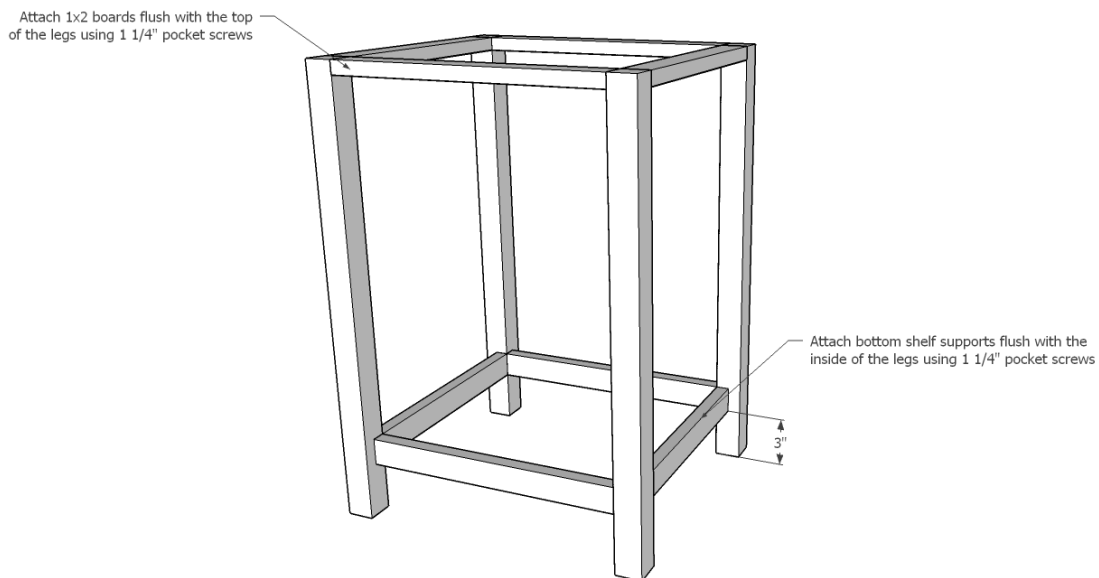
2 – 2x2 @ 6' long
2 – 1x2 @ 8' long
1 – 1x2" birch veneer plywood sheet (2'x4')
2 – 1x6 @ 6' long
1 – 1x4 @ 8' long
1 – 1x3 @ 8' long
1 ¼" pocket screws
1 ¼" brad nails
1" brad nails
¾" brad nails
Kreg Jig
Brad nailer
Kreg Rip-Cut
Circular saw
Miter saw
Drill

Orbital sander
220 grit sandpaper
Wood glue
Wood stain
Polyurethane

Cut List:

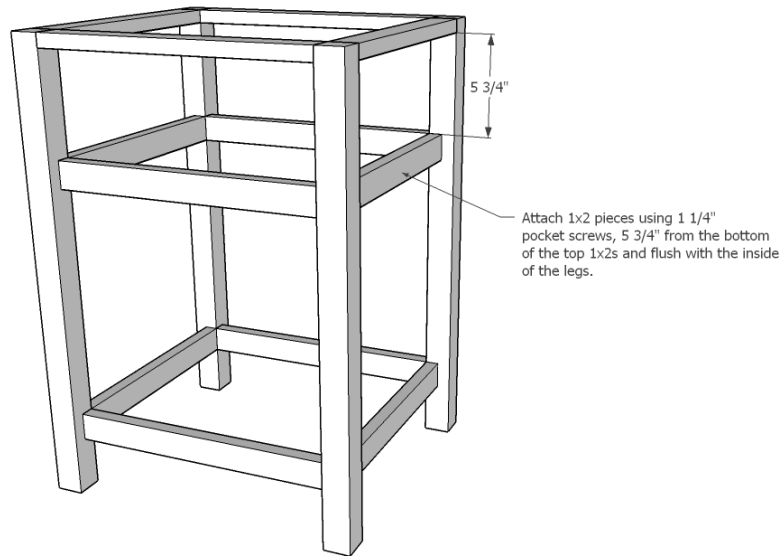
- 4 – 2x2 cut @ 25 ¼" (legs)
- 6 – 1x2 cut @ 15" (front & back braces)
- 6 – 1x2 cut @ 13 ½" (side braces)
- 2 – 1x2" plywood cut @ 5 ¾" x 13 ½" (side panels)
- 1 – 1x2" plywood cut @ 5 ¾" x 15" (back panel)
- 3 – 1x6 cut @ 18" (bottom shelf)
- 3 – 1x6 ripped to 5 ¼" wide and cut @ 19 ½" long(top)
- 1 – 1x3 cut @ 19 ½" long (top)
- Pine trim pieces – 4 @ 5 ¾" long, ¼" thick, ¾" wide (use strips cut from top pieces)
- 2 – 1x4 @ 13" (drawer sides)
- 2 – 1x4 @ 14" (drawer front and back)
- ½" plywood cut @ 13"x14" (drawer bottom)
- 1 – 1x6 @ 14 ¾" (drawer face)

Step 1:



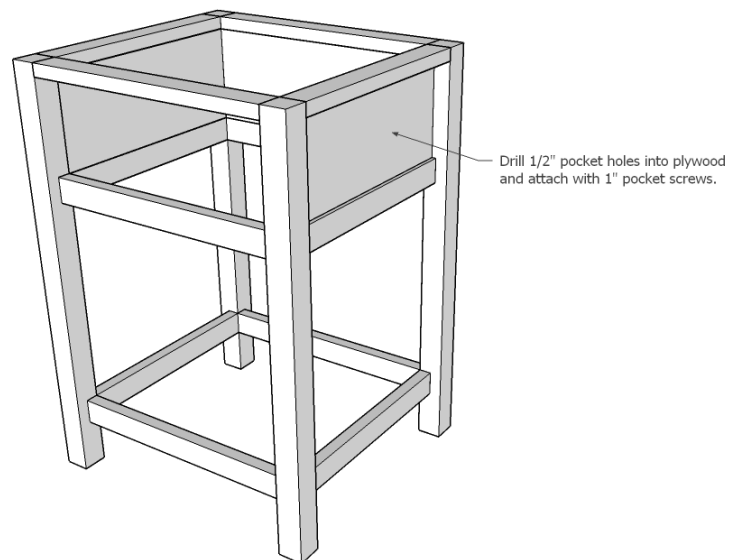
Drill ¾" pocket holes into the 1x2 pieces. Clamp and attach the top 1x2 boards using wood glue and 1 ¼" pocket screws. These pieces are attached horizontally. Measure 3" from the bottom of the legs and attach the shelf supports flush with the insides of the legs. Attach with 1 ¼" pocket screws. These pieces are attached vertically.

Step 2:



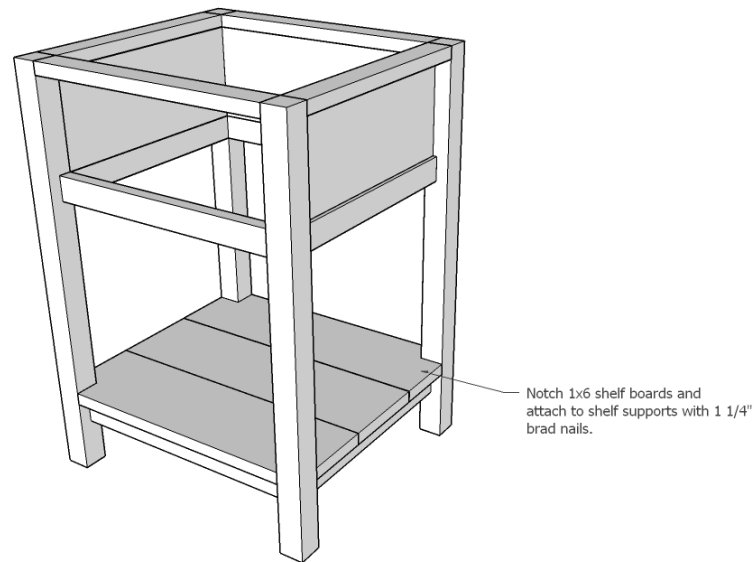
Measure 5 3/4" from the bottom of the top 1x2 pieces and attach the remaining 1x2 boards using 1 1/4" pocket screws. These pieces are also attached vertically and flush with the inside edges of the legs.

Step 3:



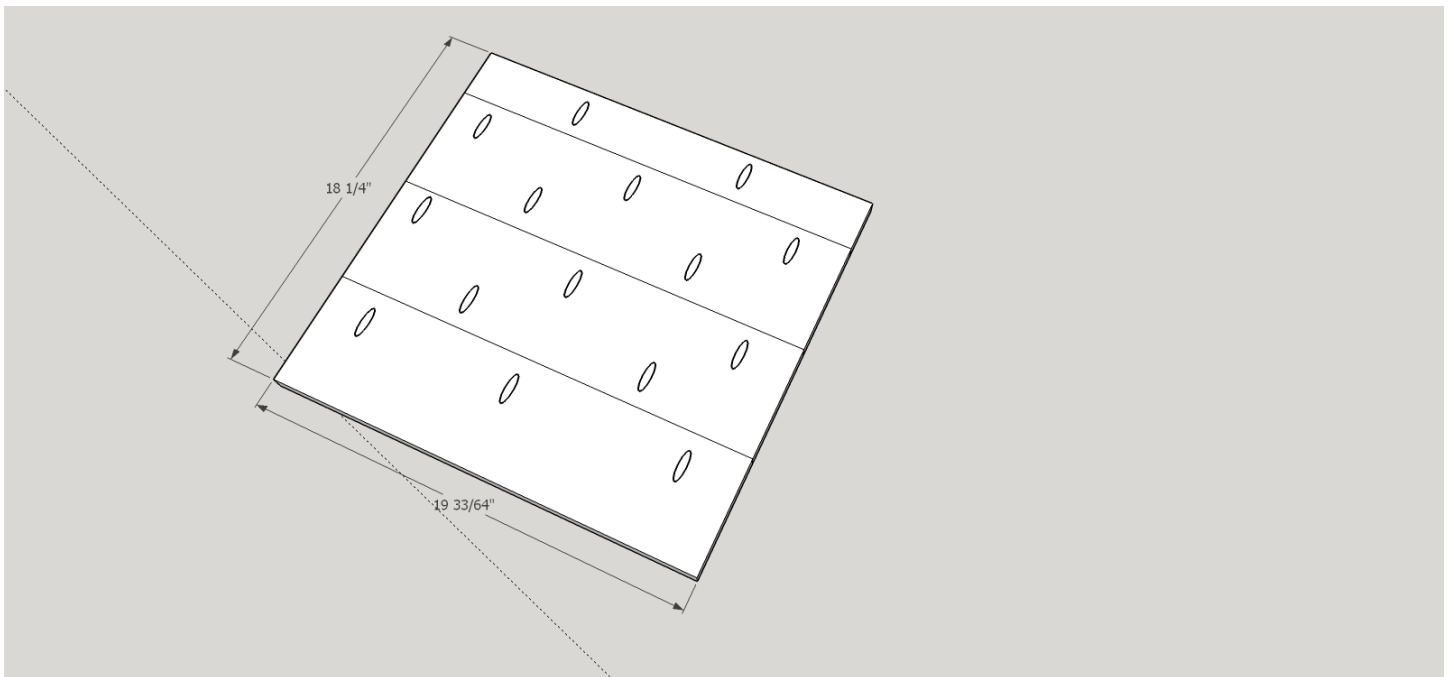
Drill 1/2" pocket holes into the plywood panels and attach flush with the insides of the 1x2 pieces with 1" pocket screws.

Step 4:



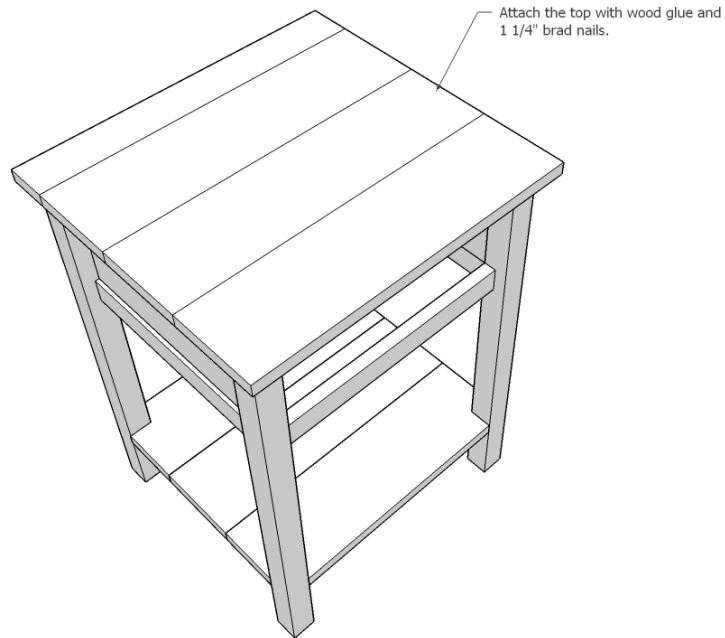
To build the bottom shelf, notch the front and back 1x6 pieces with a jigsaw. Notch out 1 1/2" from each corner. Attach to the bottom shelf supports with wood glue and 1 1/4" brad nails.

Step 5:



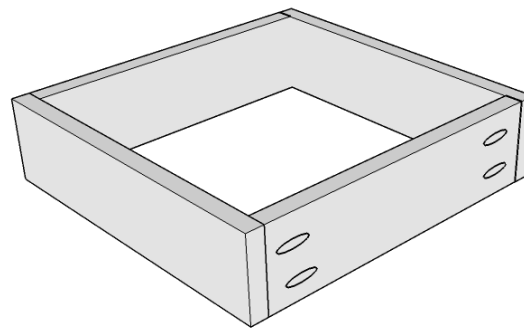
Drill 3/4" pocket holes into the top pieces as shown. Attach them together using wood glue and 1 1/4" pocket screws.

Step 6:



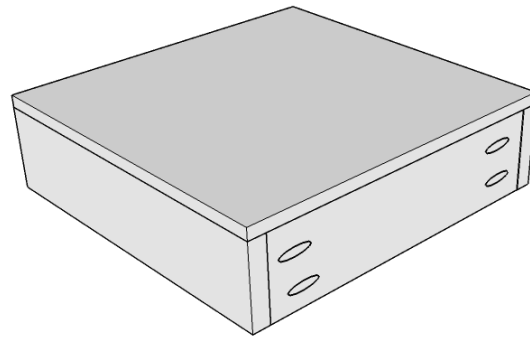
Attach the top of the nightstand using wood glue and 1 1/4" brad nails. Nail up through the bottom of the top 1x2 pieces to hide the nails.

Step 7:



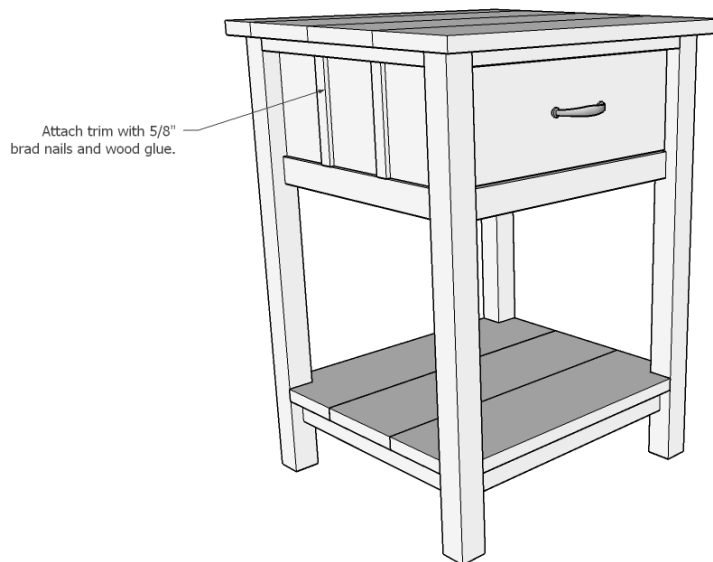
To build the drawers, drill 3/4" pocket holes into the 13" side pieces. Attach to the drawer fronts using wood glue and 1 1/4" pocket screws.

Step 8:

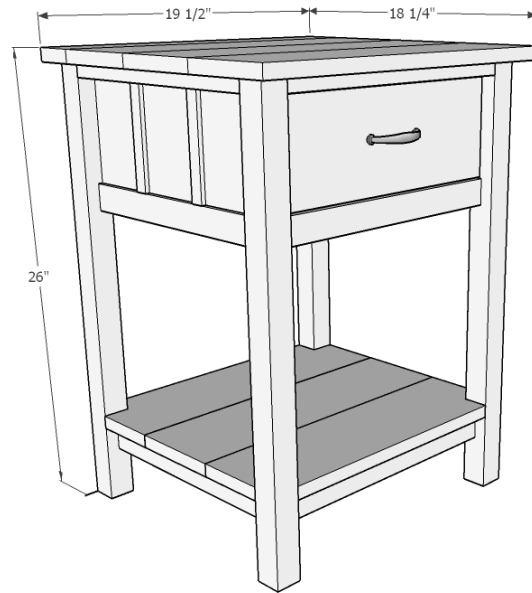


Using wood glue and 1" brad nails, attach the plywood bottom to the drawer.

Step 9:



Install the drawer glides and slide the drawer into place. Line up and attach the drawer face using wood glue and 1 1/4" brad nails. There should be an 1/8" gap around all sides of the drawer face. Evenly space the trim pieces and attach using 3/4" brad nails and wood glue.



Finish as desired using paint or stain. The finished dimensions of the nightstand are 26" high, 19 1/2" wide and 18 1/4" deep.