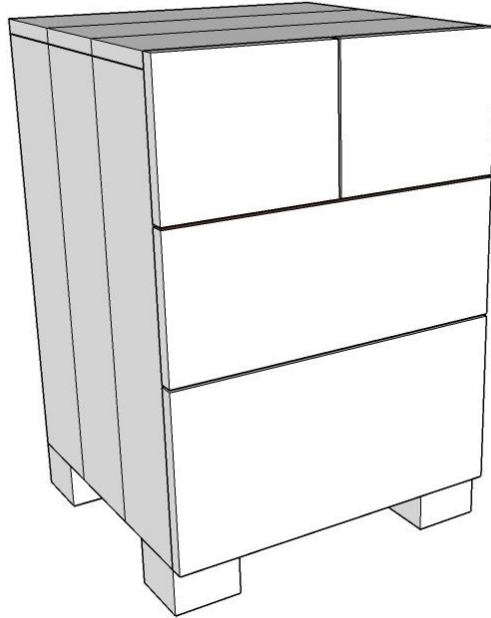


PB Teen-Inspired Nighstand

Addicted2DIY.com



***Before beginning this project, please read through all of the plans and the blog post. When building this project, be sure to measure your wood and cut to fit. The measurements listed are all approximates as wood dimensions can vary depending on the type of wood used and the dryness of the wood.**

Materials List:

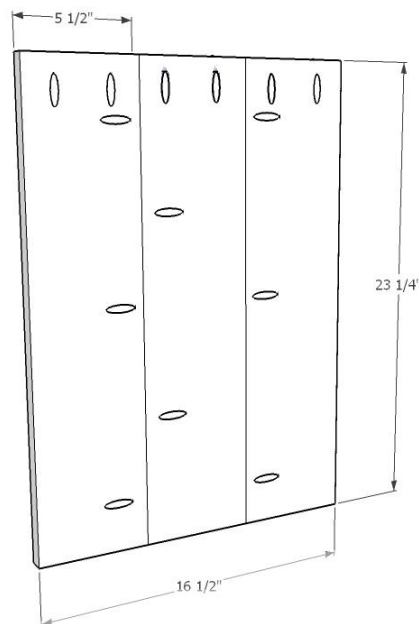
3 – 1x6 pine boards @ 8' long
1 – 1x8 pine board @ 8' long
1 – 1x8 pine board @ 6' long
1 – 1x10 pine board @ 6' long
1 sheet ¼" plywood
1 – 2'x4' sheet ¾" plywood
1/8" tempered hardboard
½"x1 ½" lag bolts
3 sets of 16" drawer glides
Drawer hardware of your choice (ex. knob, 2 pulls, cup pull)
1 ¼" brad nails
5/8" brad nails
1 ¼" pocket screws (coarse thread)
2" construction screws

Kreg Jig
Miter Saw
Orbital Sander
brad nailer
220 grit sandpaper
stain
polyurethane

Cut List:

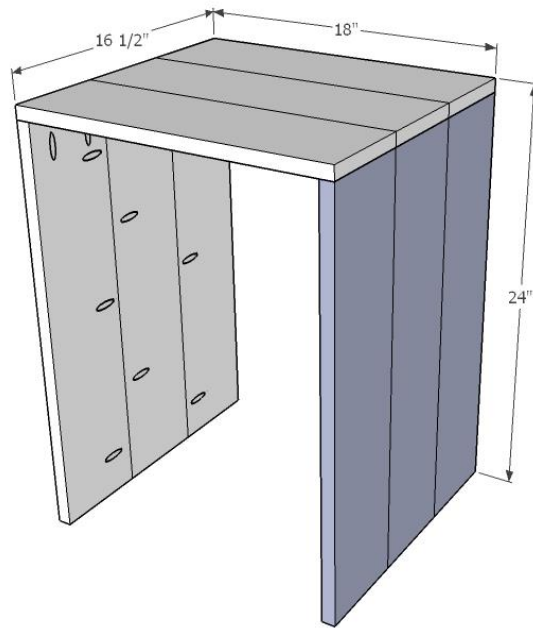
- 6 – 1x6 @ 23 ¼" (sides)
- 3 – 1x6 @ 18" (top)
- ¾" plywood @ 16 ½" x 16 ½" (bottom)
- 2 – 1x2 @ 16 ½" (face trim)
- 4 – 4x4 @ 2 ½" (legs)
- 2 – 1x8 @ 8 15/16" (top drawer faces)
- 1 – 1x8 @ 18" (middle drawer face)
- 1 – 1x10 @ 18" (bottom drawer face)
- 2 – 1x4 @ 16" (top drawer sides)
- 2 – 1x4 @ 14" (top drawer front/back)
- 2 – 1x6 @ 16" (middle drawer sides)
- 2 – 1x6 @ 14" (middle drawer front/back)
- 2 – 1x8 @ 16" (bottom drawer sides)
- 2 – 1x8 @ 14" (bottom drawer front/back)
- 3 – ¾" plywood @ 15 1/2" x 16"
- 1 – tempered hardboard @ 17 ¼" x 23 ½"

Step 1:



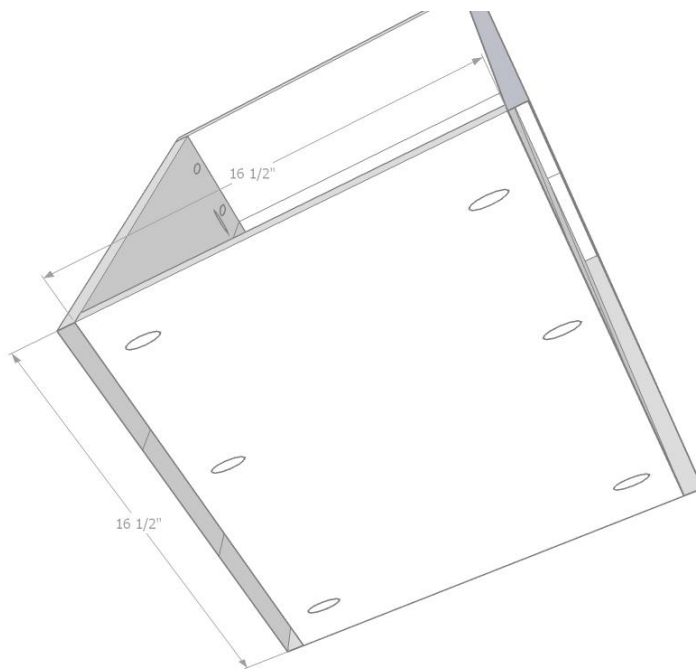
Build the top and sides of the nightstands. For the sides, drill ¾" pocket holes into the 1x6 boards on the sides and two into the ends that will be the top of the sides. Attach them together using wood glue and 1 ¼" pocket screws. Do the same for the top, leaving out the pocket holes on the ends.

Step 2:



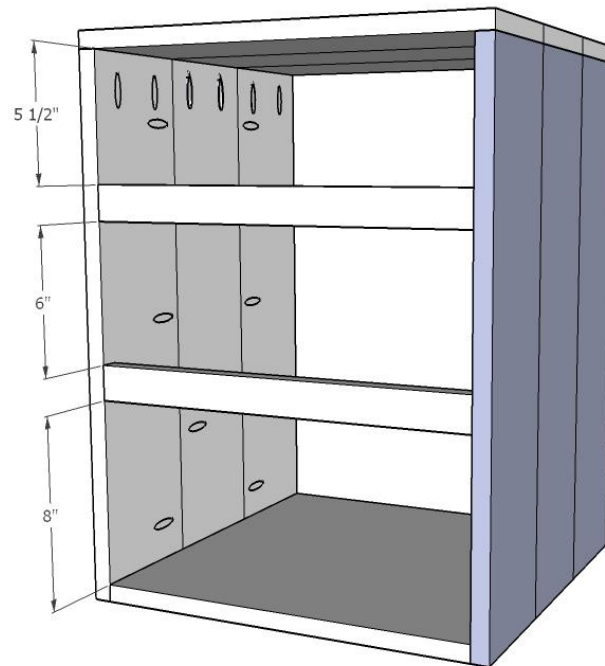
Attach the top to the side pieces using wood glue and 1 1/4" pocket screws.

Step 3:



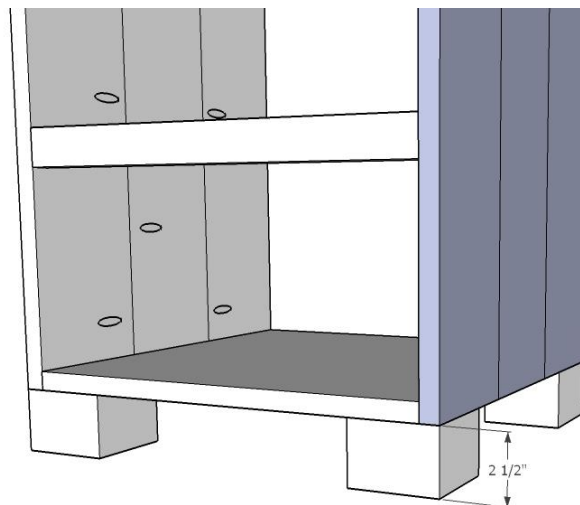
Drill 3/4" pocket holes into the sides of the 3/4" plywood. Attach inside and flush with the bottom of the nightstand sides. Use wood glue and 1 1/4" pocket screws to attach.

Step 4:



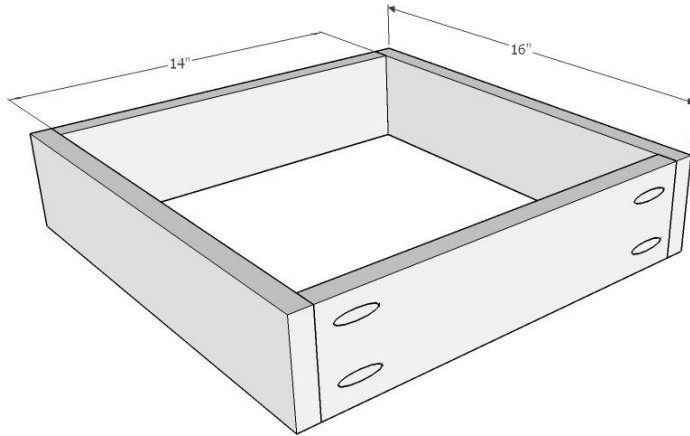
Drill $\frac{3}{4}$ " pocket holes into each end of the 1x2 pieces. Attach them using the measurements shown using wood glue and $1\frac{1}{4}$ " pocket screws.

Step 5:



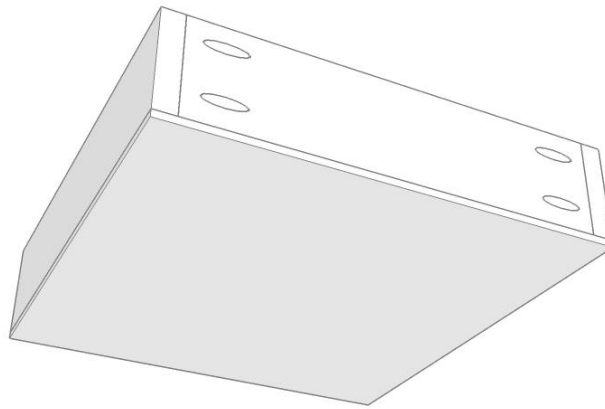
Attach the 4x4 legs to each corner using wood glue and 2" construction nails. Drive the nails into the legs from the plywood bottom. Make sure to drive the nails closer to the corners of the legs to allow room for a later step.

Step 6:



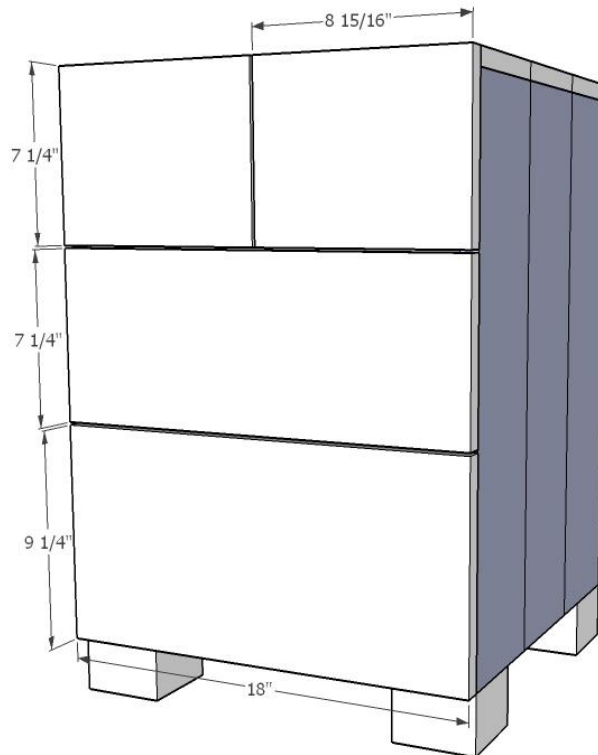
Build the top drawer. Drill $\frac{3}{4}$ " pocket holes into the front and back pieces of the drawers. The pocket holes will be on the outside of the drawer box. Attach them to the sides using wood glue and $1\frac{1}{4}$ " pocket screws.

Step 7:



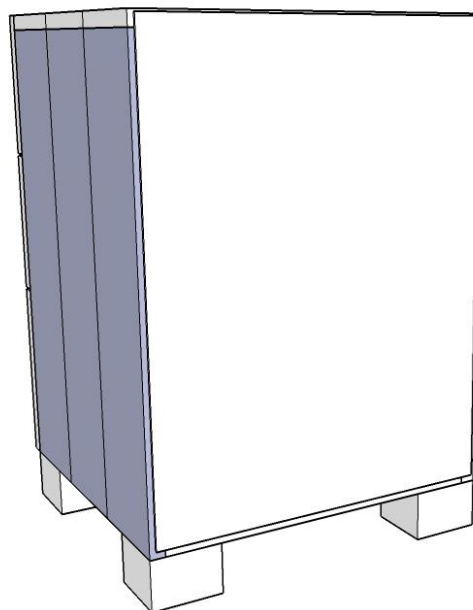
Attach the $\frac{1}{4}$ " plywood bottom to the drawer box using wood glue and $\frac{5}{8}$ " brad nails. Follow these steps for the remaining two drawers. Attach the drawer glides to each drawer and the body of the nightstand. These drawers will be face mount drawers, so position the drawer glides so that the drawer boxes are flush with the front of the sides of the nightstand.

Step 8:



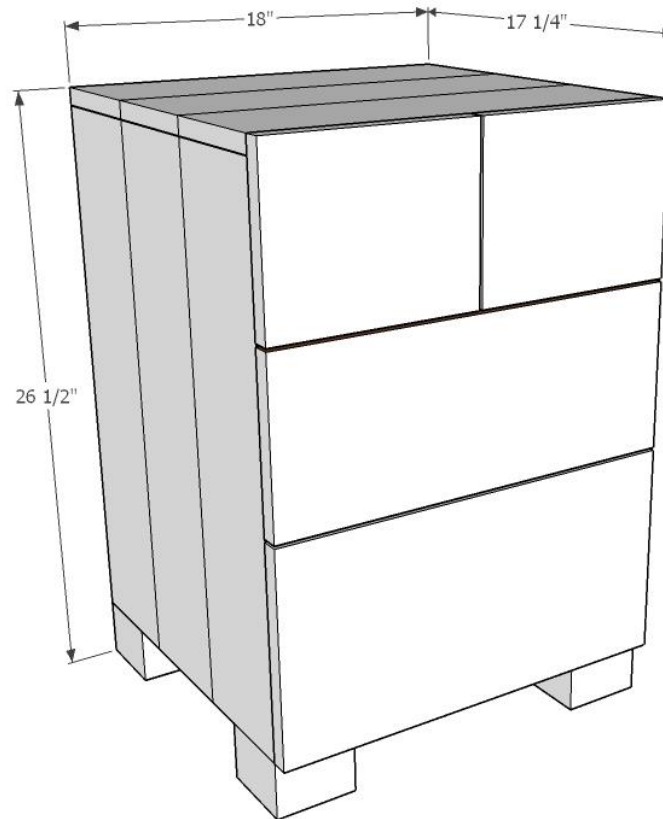
Attach the drawer faces to the fronts of the drawers using wood glue and 1 1/4" brad nails. The drawer faces will have approximately a 1/8" gap between them. Set them in place using at least one brad nail in the front, then finish nailing them from the inside of the drawer box.

Step 9:



Attach the tempered hardboard backing using 5/8" brad nails.

Step 10:



Attach the drawer hardware. For the front legs, find the center on the front and use a 1" paddle bit to drill holes approx. 1/2" deep. Drill into the middle of those holes with a 27/64th drill bit and screw in the lag bolts.