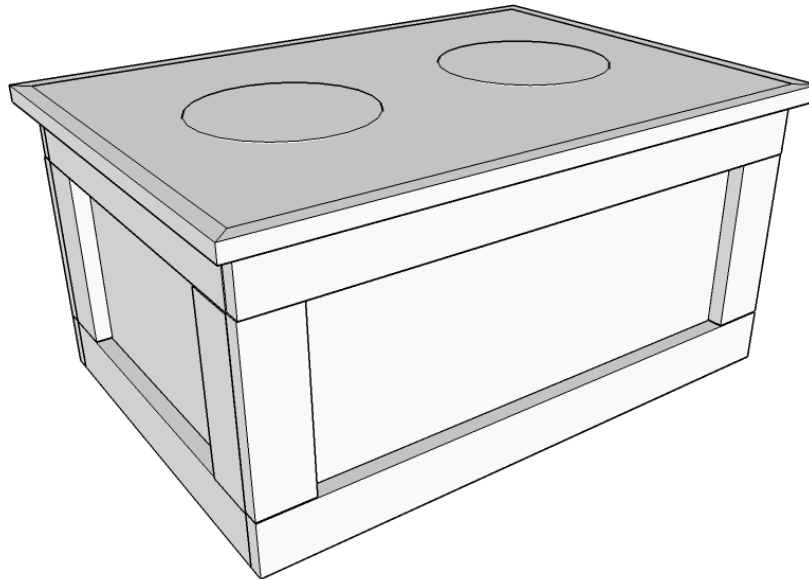


# Raised Dog Bowl Stand with Storage

Addicted 2 DIY



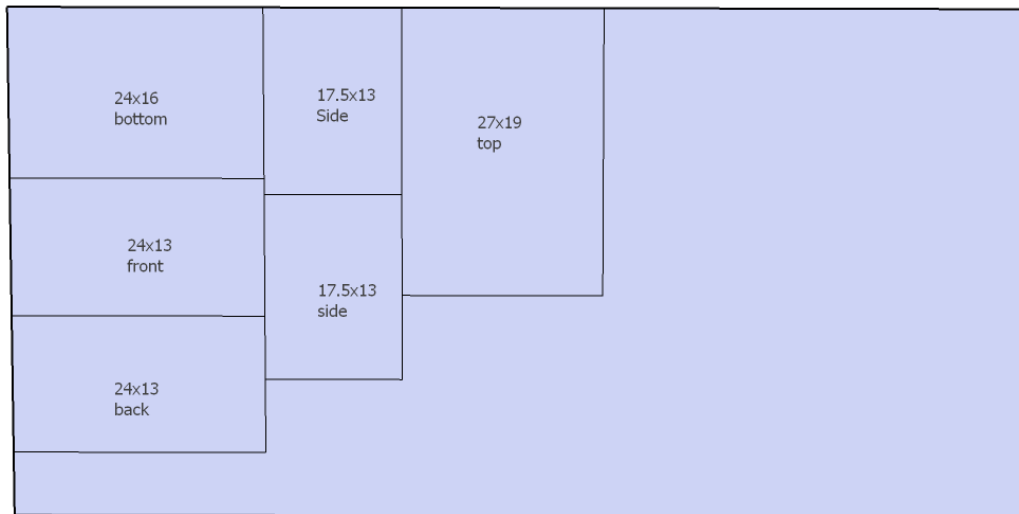
## Materials List:

- 1 – 3/4" veneer plywood (maple, birch, etc.)
- 3 – 1x3 pine boards @ 8' long
- 1 – 3/4" square poplar dowel @ 6'
- 1 – 3/4" square poplar dowel @ 4'
- 1 1/4" pocket screws
- 1 1/4" brad nails
- Wood glue
- Stain
- Paint
- hinges

## Cut List:

- 1 – 3/4" plywood @ 24" x 16"
- 2 – 3/4" plywood @ 17 1/2" x 13"
- 2 – 3/4" plywood @ 24" x 13"
- 1 – 3/4" plywood @ 27" x 19"
- 4 – 1x3 boards @ 17 1/2" (cut to fit)
- 4 – 1x3 boards @ 27" (cut to fit)
- 8 – 1x3 boards @ 8" (cut to fit)
- 2 – 3/4" square dowels cut @ 45 degrees, 28 1/2" on the long side. (cut to fit)
- 2 – 3/4" square dowels cut @ 45 degrees, 20 1/2" on the long side. (cut to fit)

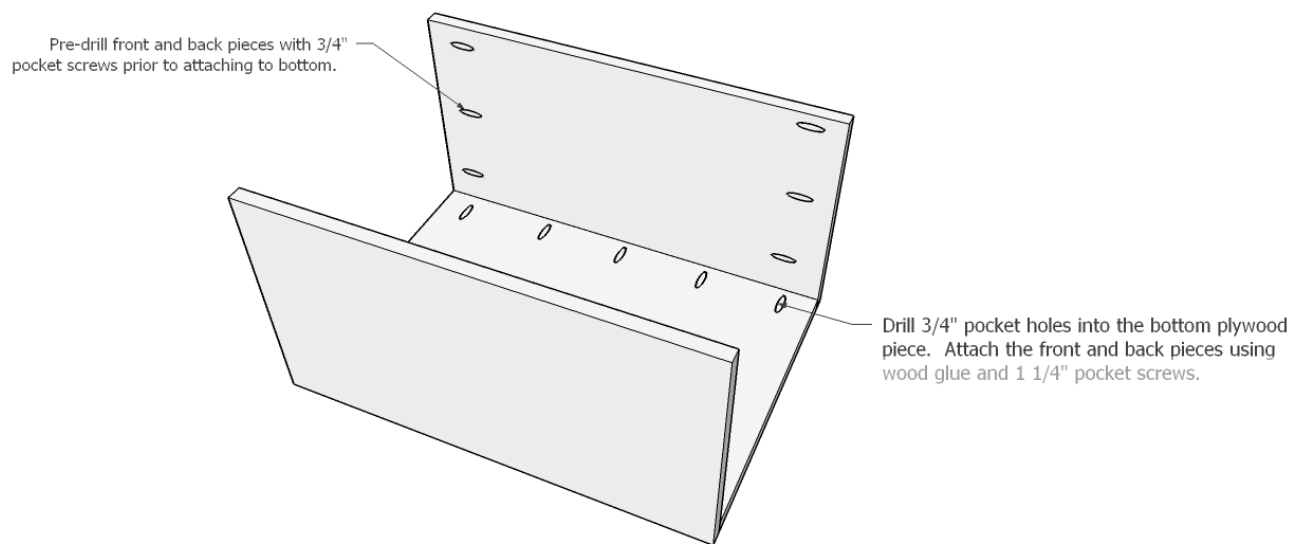
Before beginning this project, please read all of the instructions in the plans as well as the blog post. For all trim pieces, measure and cut to fit your exact box.



To maximize the amount of leftover plywood, cut your pieces according to the template above.

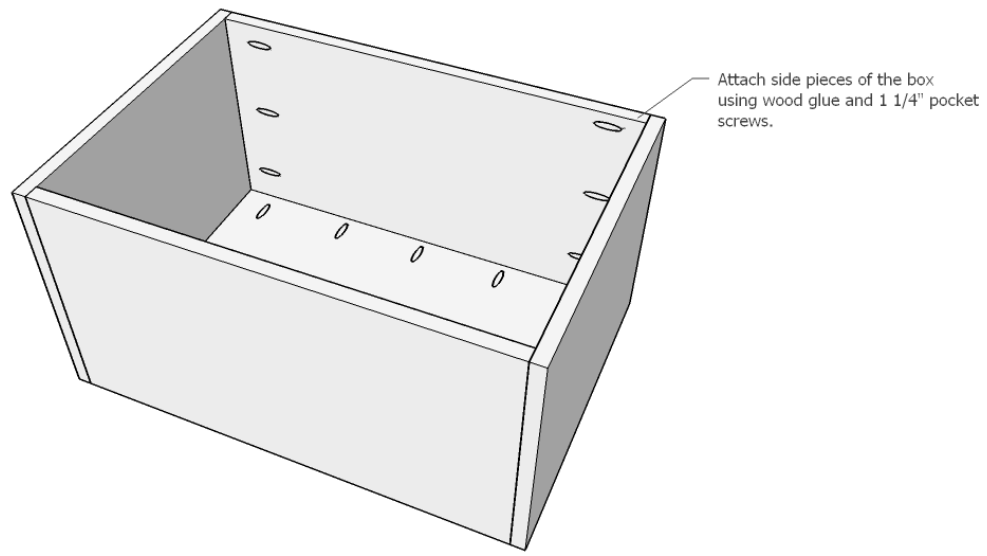
**Step 1:**

Drill  $\frac{3}{4}$ " pocket holes into each side of the front and back plywood pieces. Also drill  $\frac{3}{4}$ " pocket holes into both the long and short sides of the bottom piece of plywood. Using wood glue and  $1 \frac{1}{4}$ " pocket screws, attach the front and back pieces to the bottom piece.



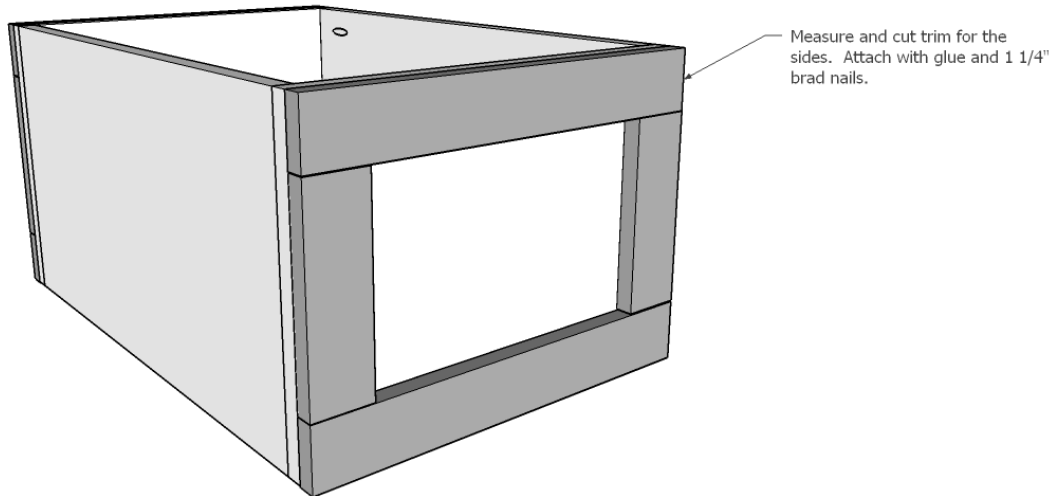
## **Step 2:**

Attach the sides of the box using wood glue and 1 1/4" pocket screws.



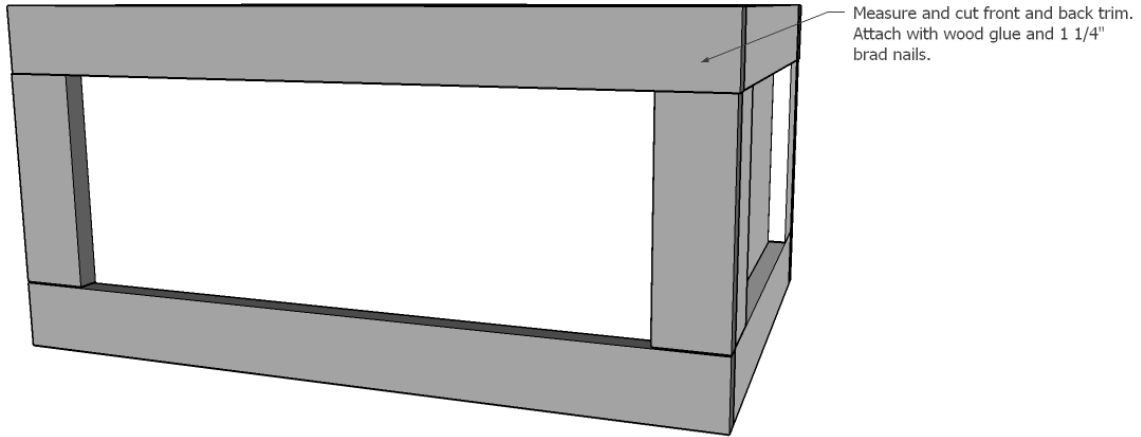
## **Step 3:**

Measure the sides and cut the 1x3 trim pieces accordingly. Attach the trim pieces to the sides using wood glue and 1 1/4" brad nails.



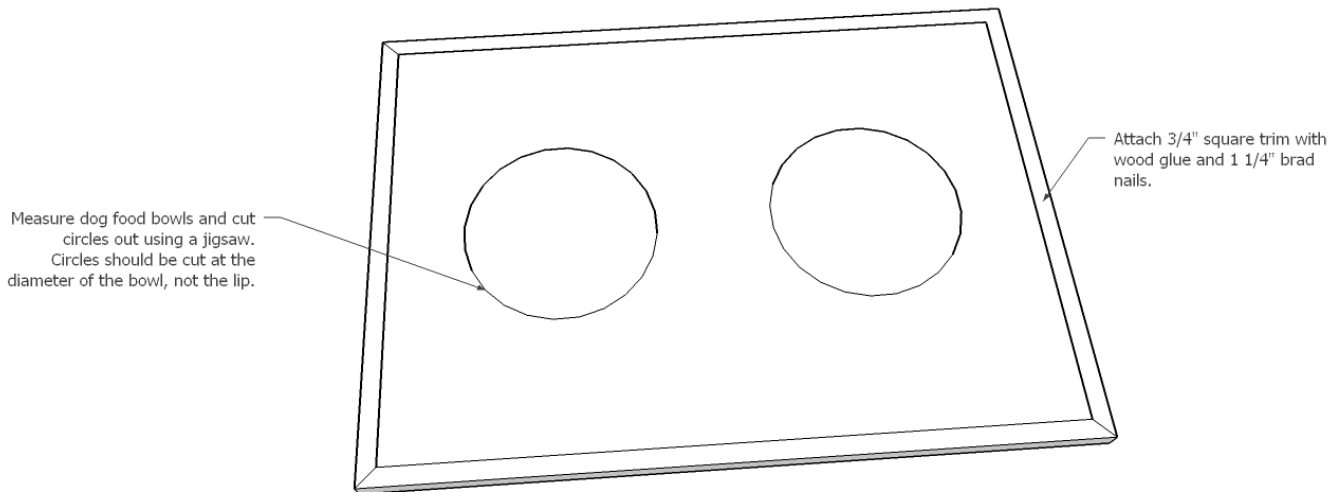
**Step 4:**

Measure and cut the 1x3 trim pieces for the front and back. Attach to the front and back of the box using wood glue and 1 1/4" brad nails.



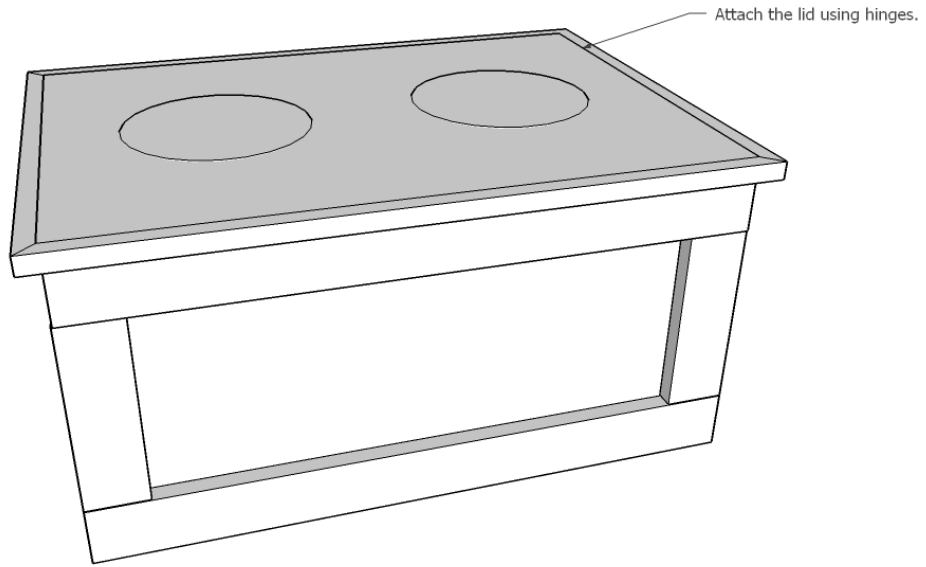
**Step 5:**

Measure the inside diameter of the dog food bowls and cut to size using a jigsaw. Cut the 3/4" square dowel pieces to size and attach using wood glue and 1 1/4" brad nails.



**Step 6:**

Attach the lid to the box using hinges of your choice. The hinges used in this tutorial are shown in the project post.



**Overall Dimensions:**

